

# DC340/DC340DA Installation instructions

ASSA ABLOY



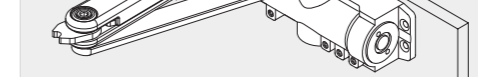
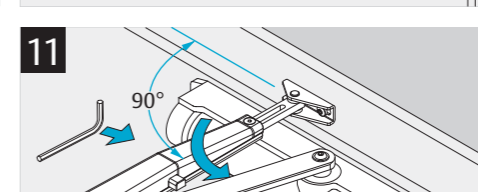
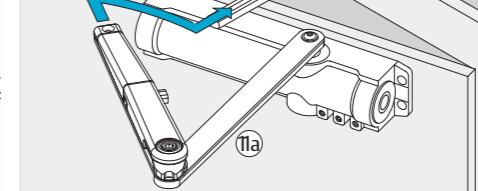
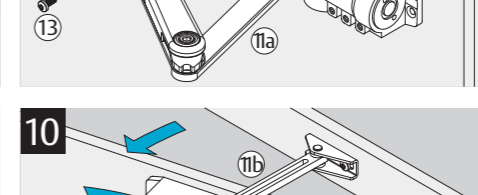
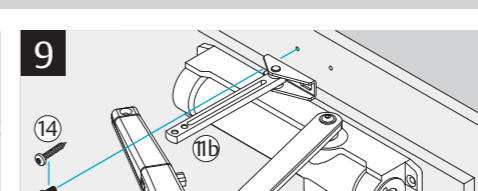
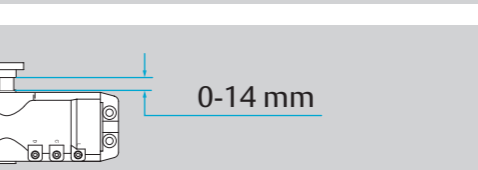
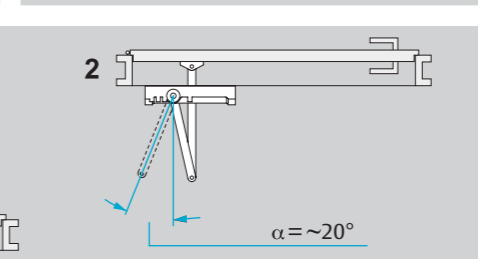
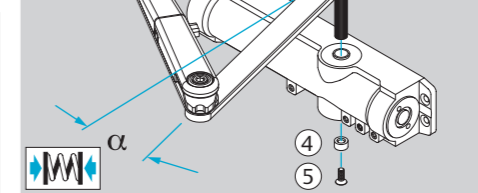
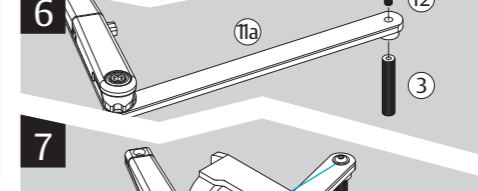
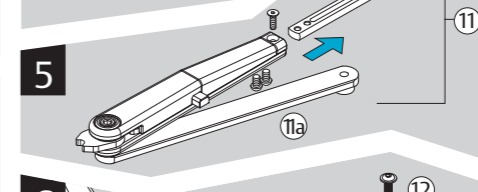
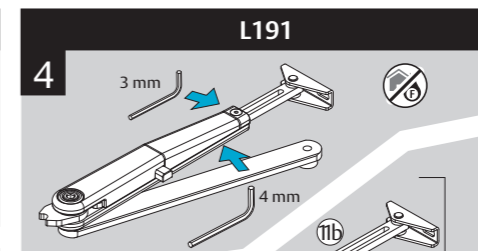
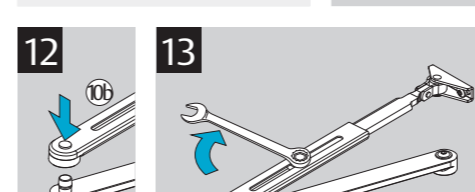
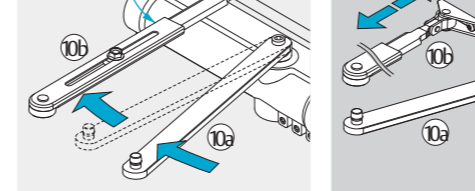
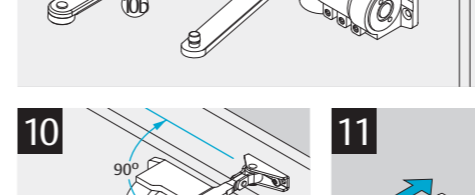
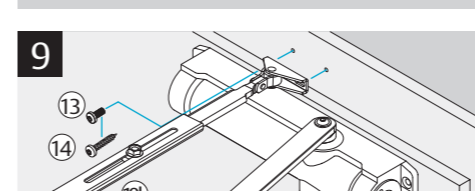
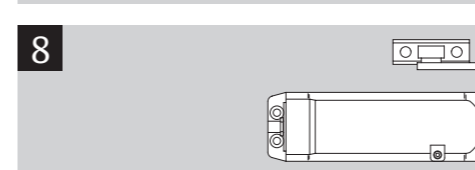
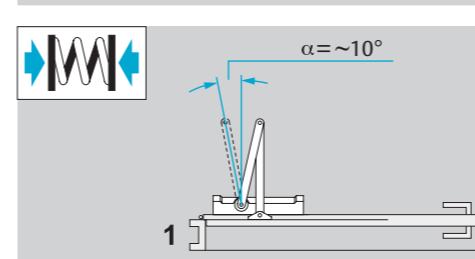
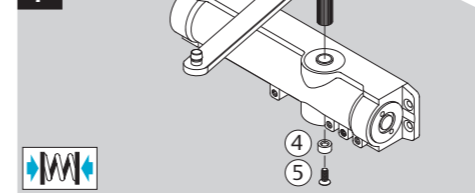
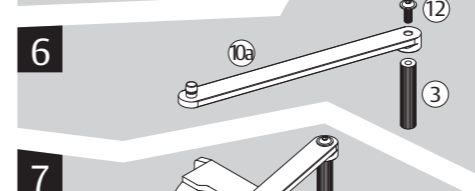
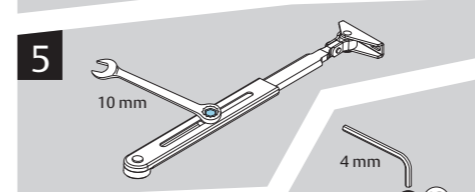
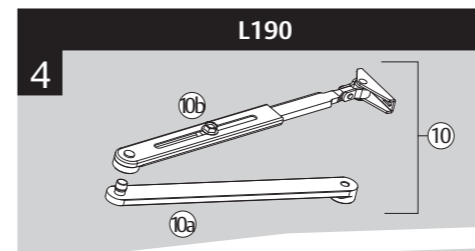
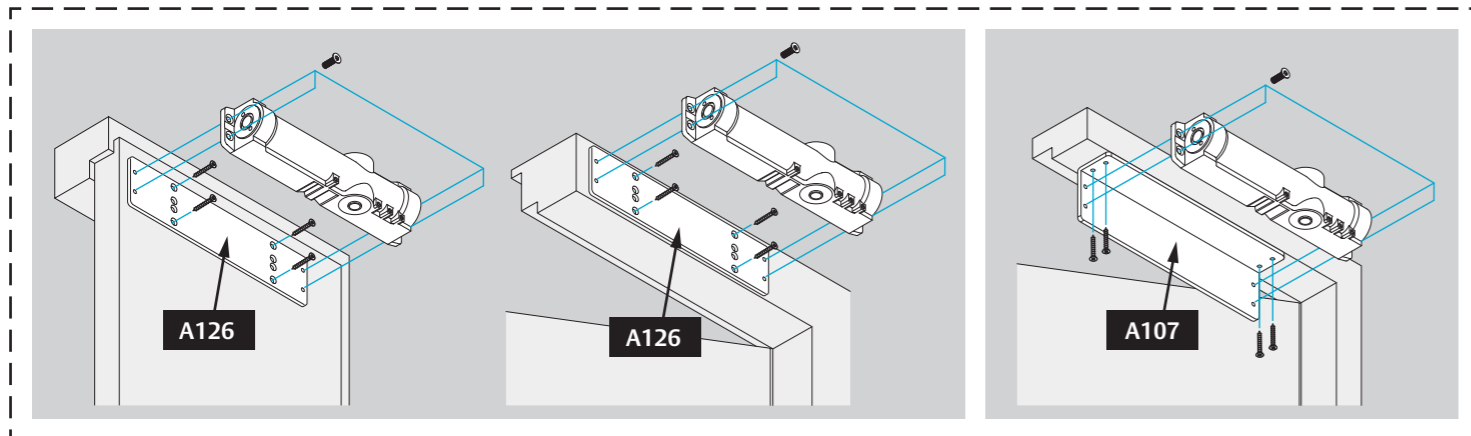
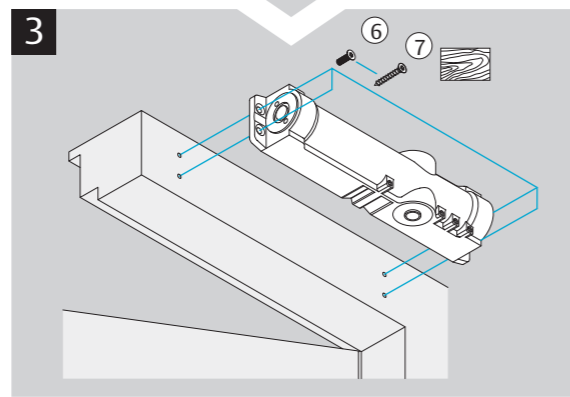
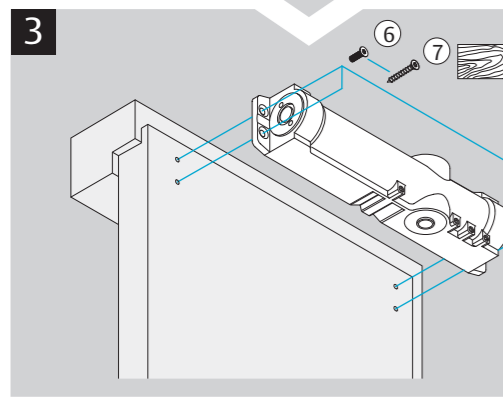
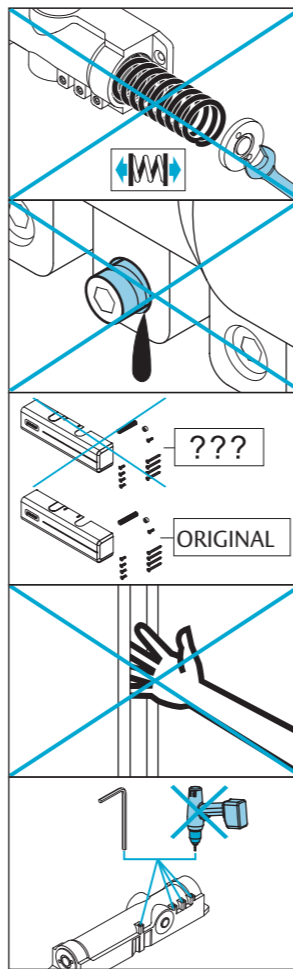
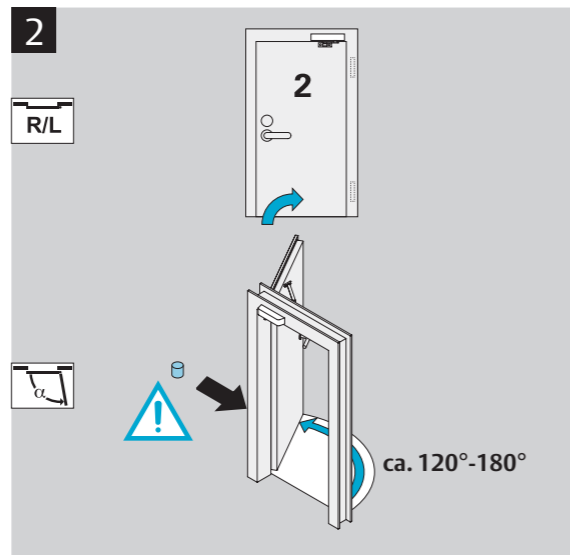
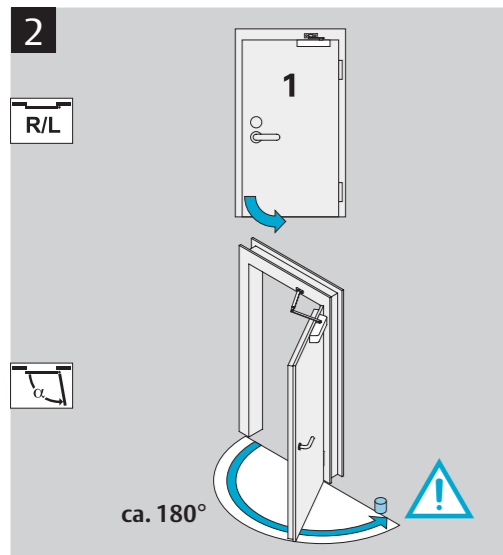
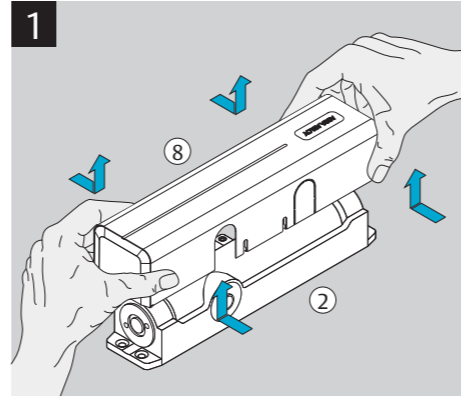
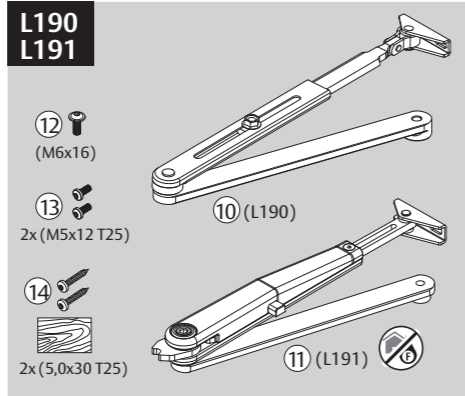
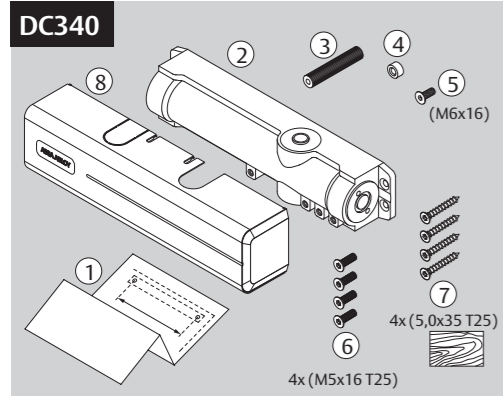
www.assaabloy.com/dop



DoP



www.assaabloy.com/dop

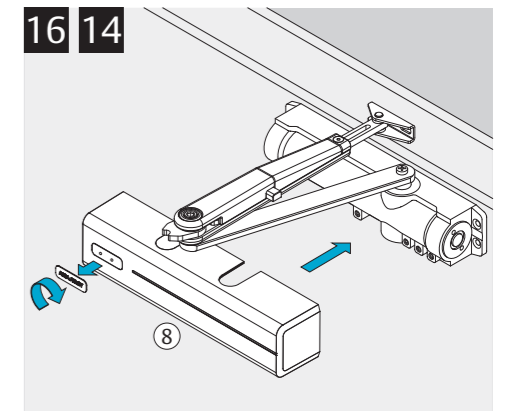
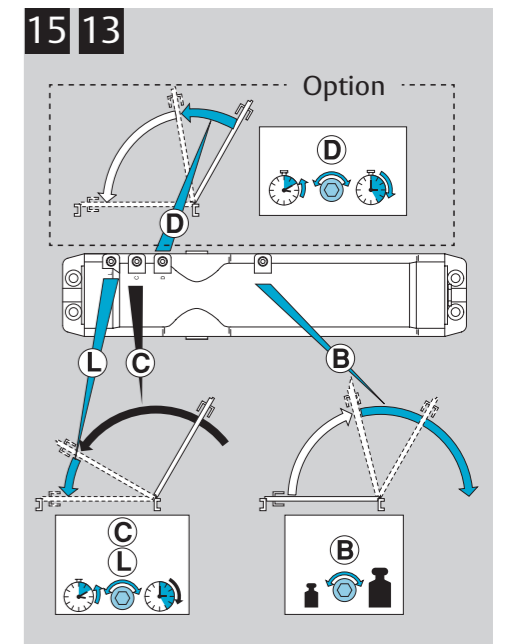


min. EN3

\*= Factory Setting

EN	1	2	3	4	5	6
DC340	-	-	0*	+3	+7	+12
DC340DA	-	-2	0*	+3	+7	+12

DC340 Min = -3  
DC340DA Min = -3



CE 0432

Abloy Oy, PO Box 108, 80101 Joensuu, Finland

EN 1154:1996/A1:2002/AC:2006

0432-CPR-00008.13

3	8	6	1	1	3	4	8	6	1	1	3
---	---	---	---	---	---	---	---	---	---	---	---

Dangerous substances: None

CE 2812

UK CA 1121

Abloy Oy, PO Box 108, 80101 Joensuu, Finland

EN 1154:1996/A1:2002/AC:2006

2812-CPR-AD5240

1121-CPR-UK-AD7911

16	4	8	6	1	1	3
22	2	2	2	2	2	2

CERTIFIRE CF5500

Dangerous substances: None

CE 2812

UK CA 1121

Abloy Oy, PO Box 108, 80101 Joensuu, Finland

EN 1154:1996/A1:2002/AC:2006

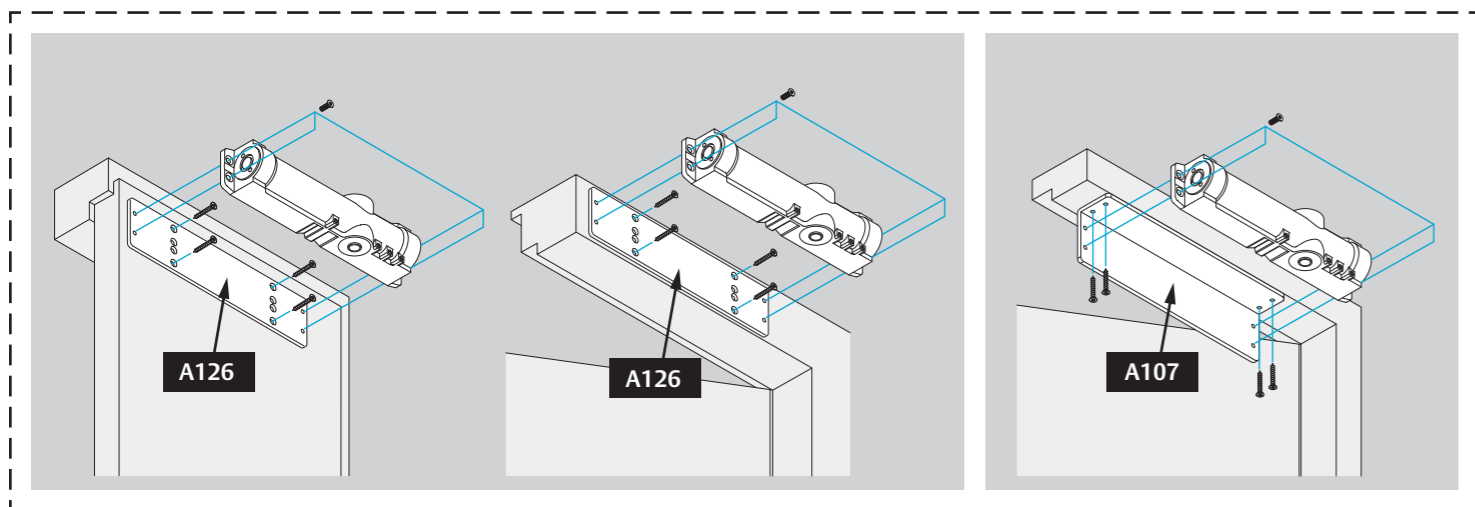
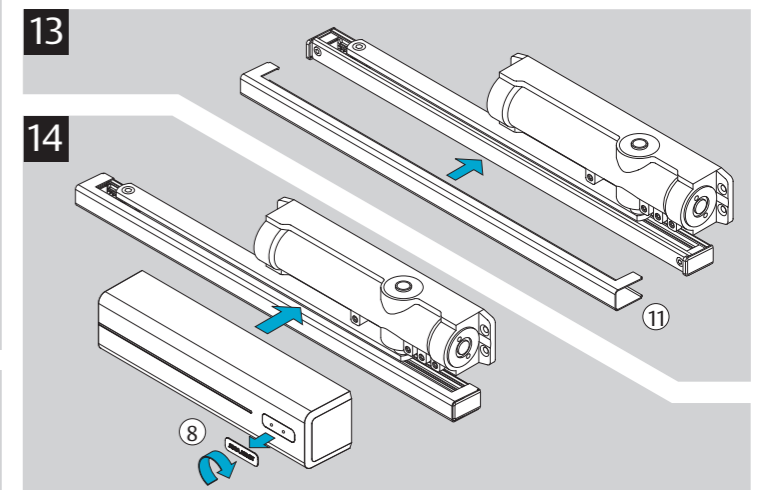
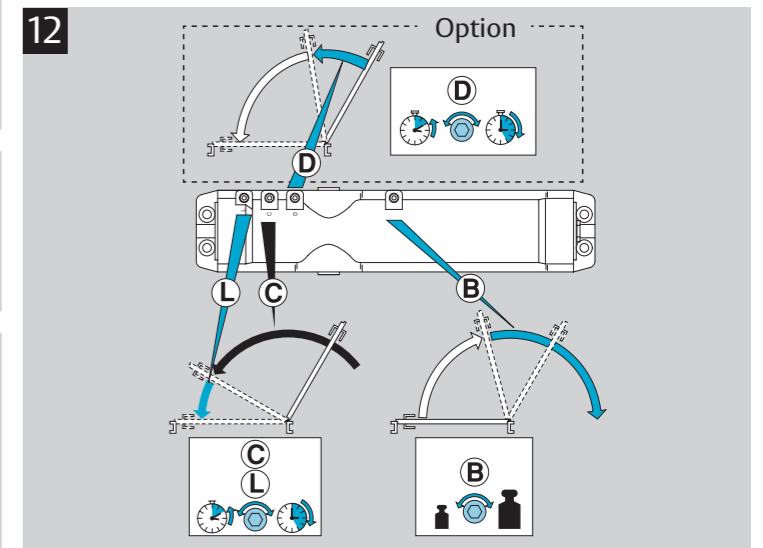
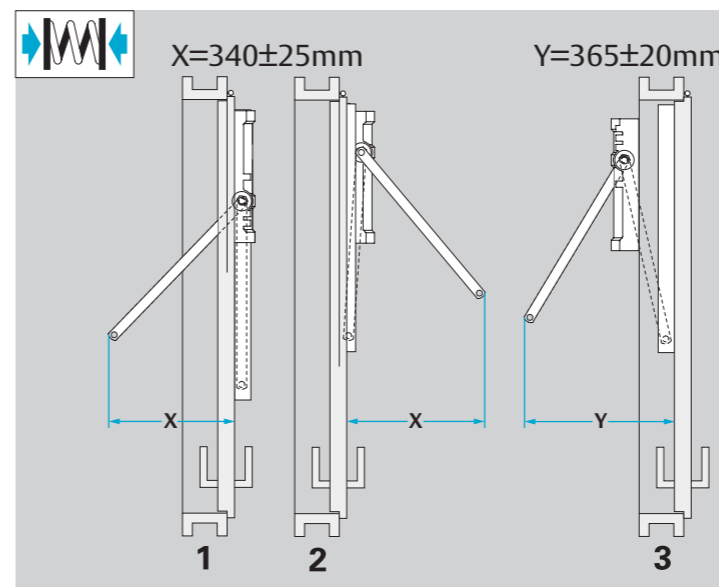
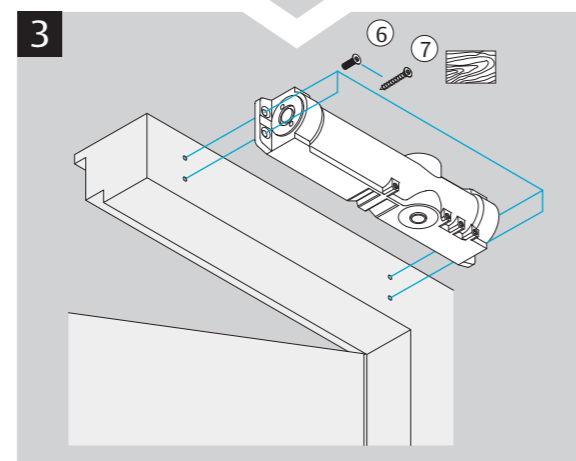
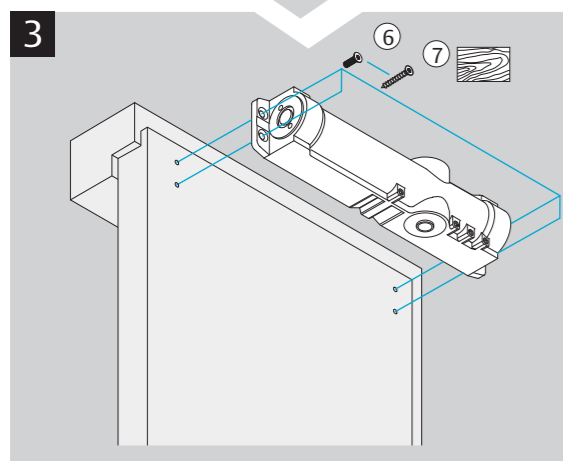
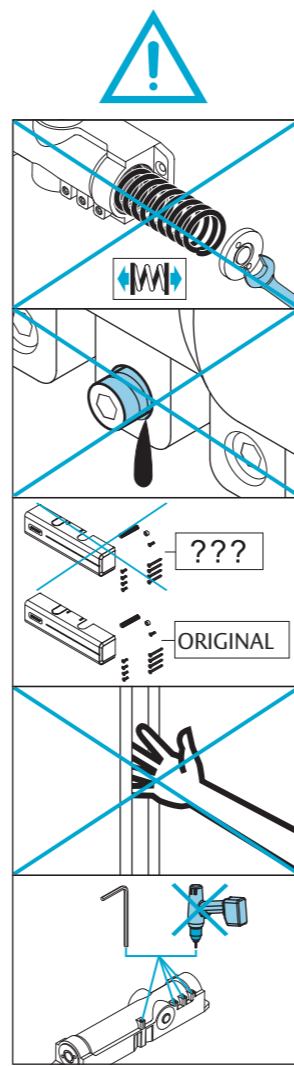
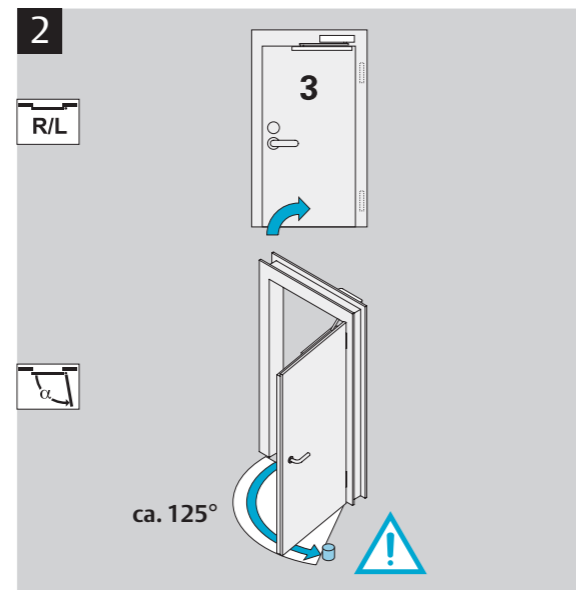
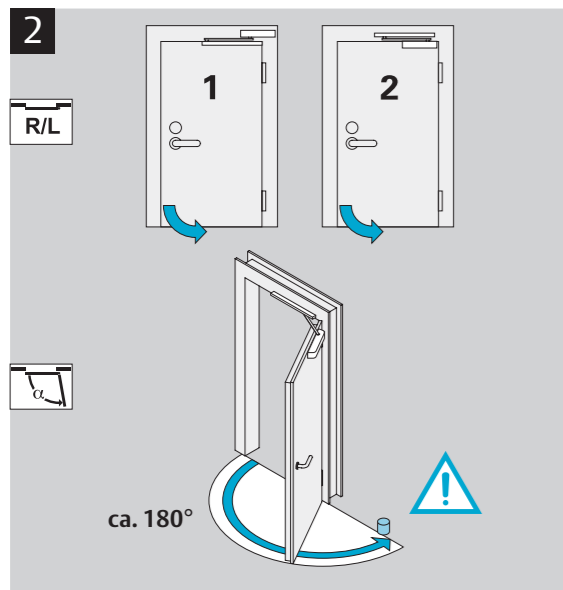
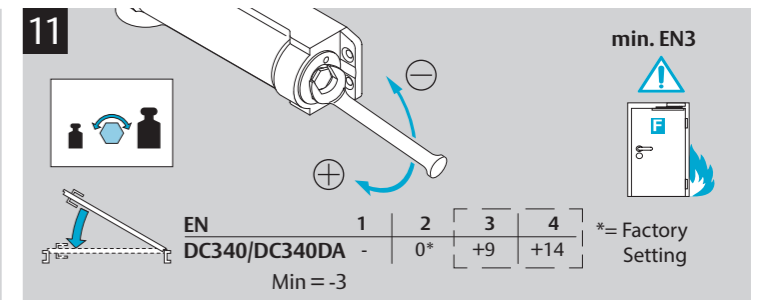
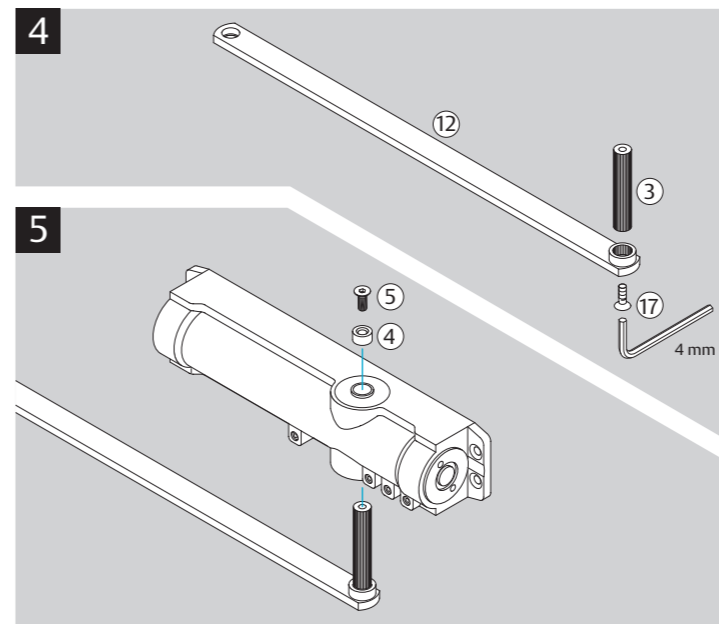
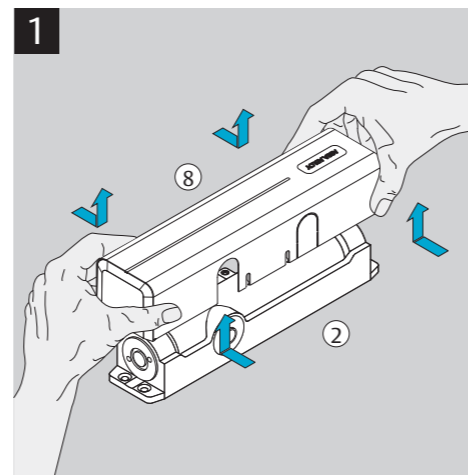
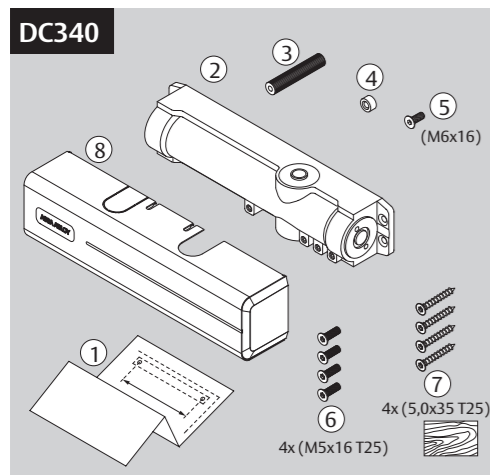
2812-CPR-AD5240

1121-CPR-UK-AD7911

4	8	5	1	1	3
22	2	2	2	2	2

CERTIFIRE CF5500

Dangerous substances: None



<p><b>CE 0432</b></p> <p>Abloj Oy, PO Box 108, 80101 Joensuu, Finland</p> <p>EN 1154:1996/A1:2002/AC:2006 0432-CPR-00008.13 25</p> <p>Dangerous substances: None</p>	<p><b>UK CA 2812 1121</b></p> <p>Abloj Oy, PO Box 108, 80101 Joensuu, Finland</p> <p>EN 1154:1996/A1:2002/AC:2006 2812-CPR-AD5240 16 1121-CPR-UK-AD7911 22</p> <p>CERTIFIRE CF5500 Dangerous substances: None</p>
<p><b>CE 0432</b></p> <p>Abloj Oy, PO Box 108, 80101 Joensuu, Finland</p> <p>EN 1154:1996/A1:2002/AC:2006 0432-CPR-00008.13 25</p> <p>Dangerous substances: None</p>	<p><b>CE UK CA 2812 1121</b></p> <p>Abloj Oy, PO Box 108, 80101 Joensuu, Finland</p> <p>EN 1154:1996/A1:2002/AC:2006 2812-CPR-AD5240 16 1121-CPR-UK-AD7911 22</p> <p>CERTIFIRE CF5500 Dangerous substances: None</p>



**ASSA ABLOY**

Abloj Oy  
P.O.Box 108  
80101 Joensuu  
FINLAND  
Tel.: +358-20 599 2501  
www.assaabloy.com  
www.abloy.com/dop

6001007  
2.6.2025