

DATASHEET

ABLOY® TQ312/TQ314

CLIQ® Outdoor Reader



PRODUCT DESCRIPTION

Compatible with all CLIQ user keys, CLIQ Web Manager and CLIQ Local Manager. CLIQ Readers bring CLIQ control to third-party devices and applications. Different installation options (surface-mounted or flush-mounted). Protection against weather, dust and vandalism. Robust stainless-steel housing.

Key Benefits

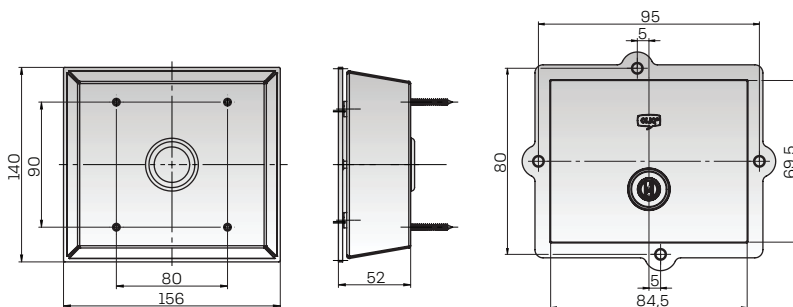
- Key only needs to be inserted, not turned, minimizing wear-and-tear
- Weatherproof IP65 and vandal proof IK09 protection
- Remote relay unit adds a valuable extra layer of security
- Customizable switch delay (1–10s) with activation on key insertion or removal
- Acoustic and visual authorization signals appear directly on the CLIQ key

Various applications

- Doors with electric strikes or motorized locks
- Automatic revolving doors or sliding glass doors
- Barriers, gates, and other entrances

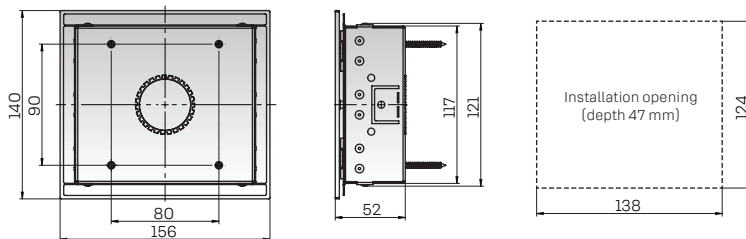
TECHNICAL DATA - TQ314/TQ312

Housing material	Stainless steel
Mounting options	Surface mounting (TQ314) Flush mounting (TQ312) Integrated into intercoms or panels
Dimensions (W x H x D)	Surface-mounted: 156 x 140 x 52 mm Flush-mounted: installation dimension 135 x 121 x 45 mm, front plate 156 x 140 x 7 mm
Key adapter	Product-specific (eCLIQ / PROTEC2 CLIQ)
Connection	Offline
Interfaces	Free output: 1 A at 12 V AC or 24 V DC Adjustable switch time (approx. 1 – 10 s) with optional activation on key insertion or removal
Indicators	Operation indicator: White LED on the display Authorization status: Visual and acoustic signal in the key
Data storage	Yes
Security	Contact-based data transmission Secure element on separate PCB (remote relay unit), max. distance 2 m
Encryption	AES / 3DES
Management software	The CLIQ Outdoor Reader verifies the status of the inserted key and, if authorization is valid, switches the potential-free contact. Access rights are programmed via the CLIQ Web Manager or CLIQ Local Manager software.
Power	12 V DC to 24 V DC \pm 10 % Current consumption at 12 V DC 0.1 A
Operating temperature range	-25 °C to +60 °C
Relative humidity	< 99 % (non-condensing)
Ingress protection	IP65
Impact protection	IK09
Certification	CE



Surface mount TQ314

E-module



Flush mount TQ312

Abloy maintains Product Security Center at www.abloy.com/securitycenter. We recommend that You check the Center on a regular basis in order to be fully informed of product security updates, so that your knowledge of our products remains optimal.

It is the customer's responsibility to define the required level of security, whilst taking into consideration relevant factors for its operations. To achieve the overall level of security required in the customer's operations multiple layers of security must be in place. These include for example locking system, key management system, access management, CCTV and alarm system as well as physical security in a manner and level specified by the customer.

This content is protected by Intellectual Property Rights Laws. The title to the content shall not pass to you, and instead shall remain with Abloy Oy or a third party holding the title. Abloy develops continuously the products and solutions offered. Therefore, the information contained in the document is subject to change without notice. ABLOY PROVIDES THIS CONTENT ON AN "AS IS" BASIS WITHOUT ANY WARRANTIES OF ANY KIND, EXPRESS, IMPLIED, OR STATUTORY.

Abloy Oy Wahlforssinkatu 20 P.O. Box 108 FI-80101 Joensuu, Finland | Tel. +358 20 599 2501 | abloy.com

ABLOY