

ABLOY® PDA121

Vandal-proof remote programming device for outdoor use



Product description

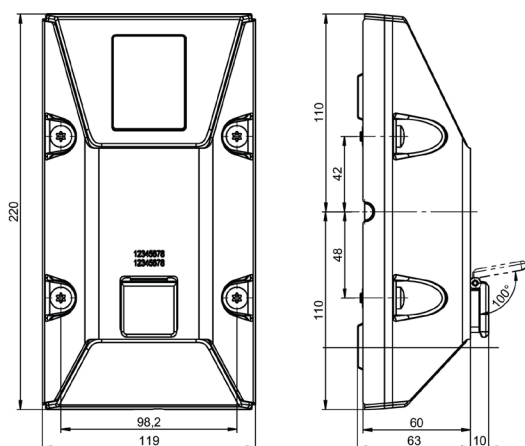
WallPD PDA121 is an outdoor remote programming device which is used for updating keys. Suitable for outdoor usage and vandalism hazard areas. The communication between CLIQ™ Remote server, WallPD and the PROTEC² CLIQ™ key is encrypted for maximum security.

Overview of Advantages

- Supports PoE (Power over Ethernet)
- Remote update of audit trails, access rights, schedules and key revalidation
- Supports authentication standard IEEE 802.1X
- IP65 + IK9 protection

Scope of delivery

- 1pcs Vandal-proof WallPD
- 1pcs Configuring USB cable
- 1pcs surface-mount frame
- 1pcs installation scheme



Technical data

Mounting	Wall
Locking system	Specific
Data storage	No
IP-rating	IP65
Attack resistance	IK9
Connection	LAN
Power	12-24V 3W or PoE Class 1 IEEE 802.3 af
Plug&Play	Requires CLIQ™ Web Manager with DCS integration, DHCP in use and no proxies set up for RemotePD
Updating	Offline update capability
Signals	Acoustic and optical

Abloy maintains Product Security Center at www.abloy.com/securitycenter. We recommend that You check the Center on a regular basis in order to be fully informed of product security updates, so that your knowledge of our products remains optimal.

It is the customer's responsibility to define the required level of security, whilst taking into consideration relevant factors for its operations. To achieve the overall level of security required in the customer's operations multiple layers of security must be in place. These include for example locking system, key management system, access management, CCTV and alarm system as well as physical security in a manner and level specified by the customer.

This content is protected by Intellectual Property Rights Laws. The title to the content shall not pass to you, and instead shall remain with Abloy Oy or a third party holding the title. Abloy develops continuously the products and solutions offered. Therefore, the information contained in the document is subject to change without notice. ABLOY PROVIDES THIS CONTENT ON AN "AS IS" BASIS WITHOUT ANY WARRANTIES OF ANY KIND, EXPRESS, IMPLIED, OR STATUTORY."

ABLOY