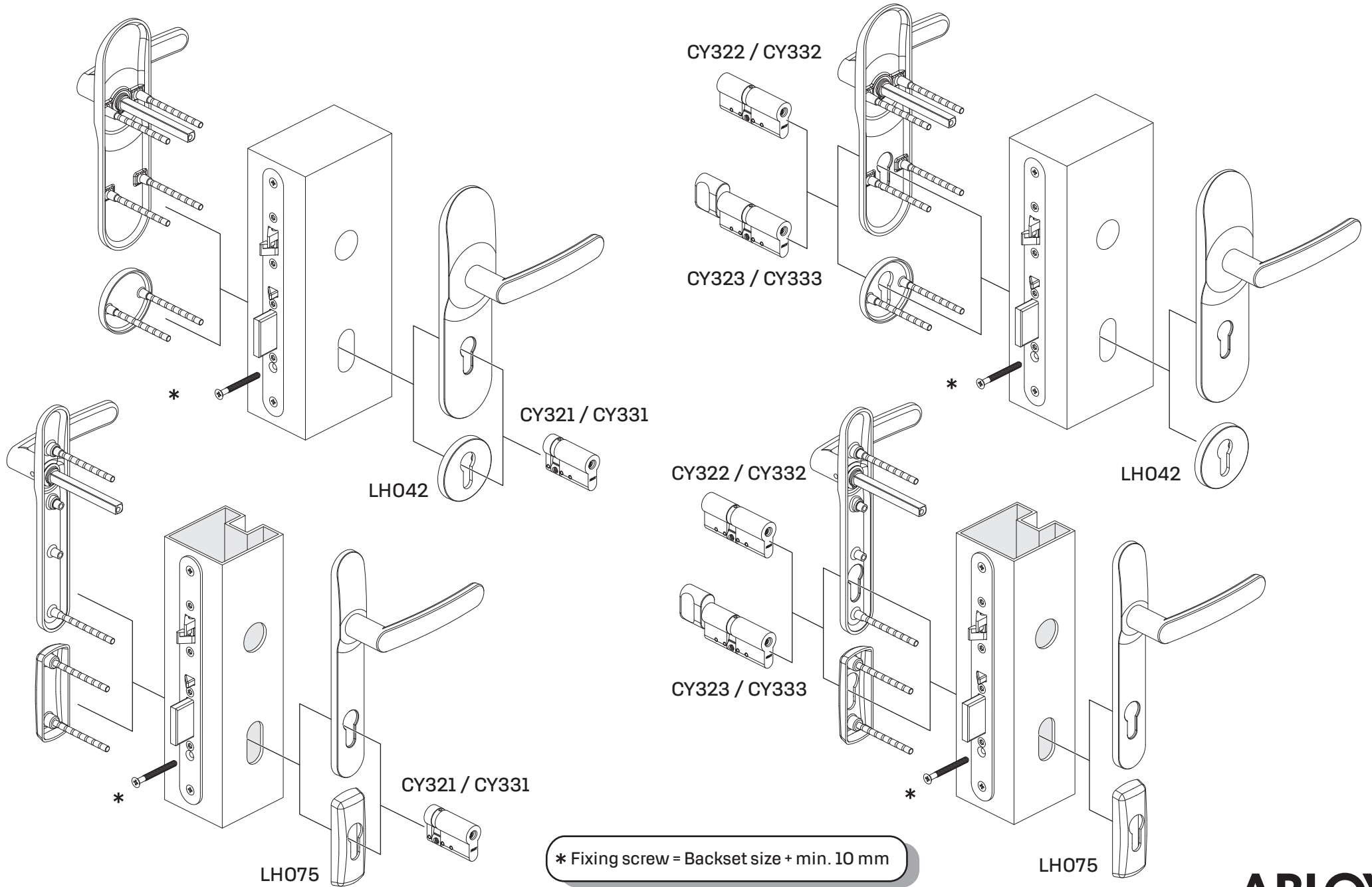
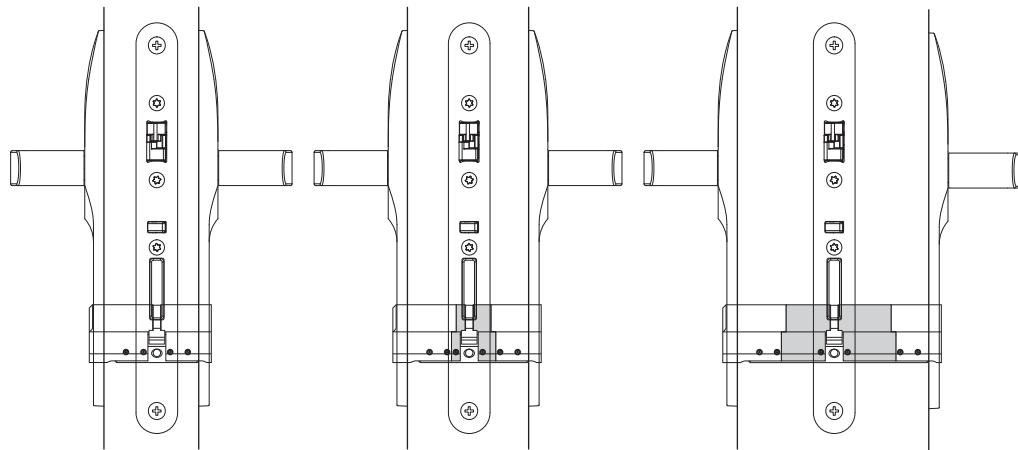
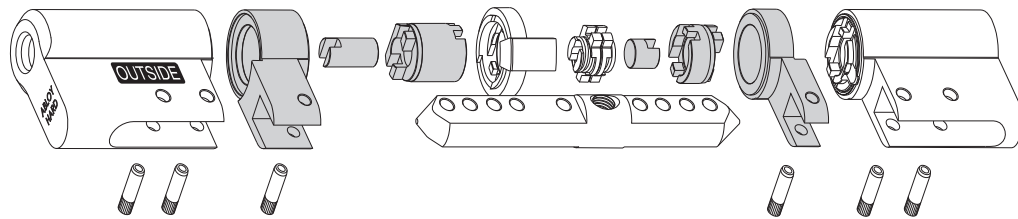
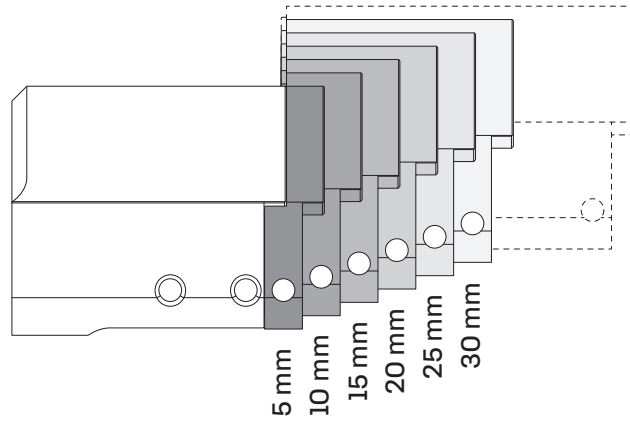


# DIN INSTALLATION



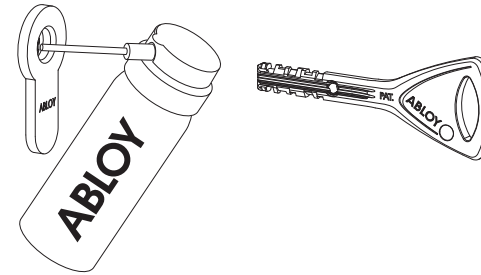
## DIN EXTENSION PIECES



## LUBRICATION INSTRUCTIONS FOR END USER

Use only Abloy lock oil or Rivolta TRS oil with cylinders.

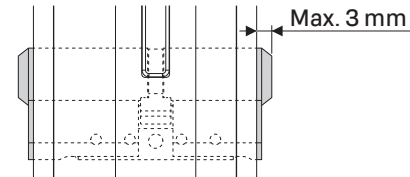
Most of the commonly used lock oils contain harmful ingredients for cylinder units and are thus not allowed to be used.



ABLOY® recommends the following lubricants:

ABLOY® Lock Oil  
Rivolta TRS  
Mineral oils (e.g. sewing machine oil and gun oil)

Do not use oils containing graphite or biolubricants.  
They will jam the cylinder and the operation of the lock.



NOTE: The maximum distance of the installed cylinder end to the hardware/ fitting must not exceed 3 mm

The product should not be modified in any way except in accordance with those modifications described in the instructions. Confirm the suitability of the product from Abloy before installing it onto a fire door.

CY321T - CY323T  
EN1303: 1,6,0,B,0,C,6,C

CY331T - CY333T  
EN1303: 1,6,0,B,0,C,6,D

WWW.ABLOY.COM

**ABLOY**