

ABLOY® CYE190 PULSE Cylinder for key deposit



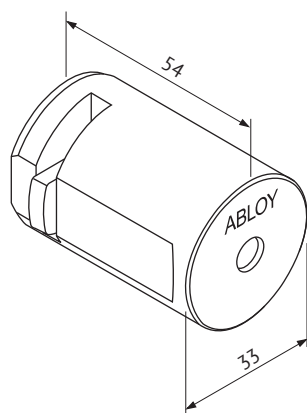
Product description

Electromechanical PULSE cylinder to be used with key deposit.

Can only be operated by using a key.

Overview of Advantages

- Strong burglary protection



Technical data

Available key systems	ABLOY PULSE
Available plating options	Satin chrome (HCr)
Cylinder diameter	33 mm
Cylinder height	54 mm
SFS 7020, SFS 5970	FA grade 3
Cylinder memory	Authorized access groups 70 Blocklist 150 keys Audit trail of last 500 events (Data collection can be prevented)
Weight	0,33 kg

Abloy maintains Product Security Center at www.abloy.com/securitycenter. We recommend that You check the Center on a regular basis in order to be fully informed of product security updates, so that your knowledge of our products remains optimal.

It is the customer's responsibility to define the required level of security, whilst taking into consideration relevant factors for its operations. To achieve the overall level of security required in the customer's operations multiple layers of security must be in place. These include for example locking system, key management system, access management, CCTV and alarm system as well as physical security in a manner and level specified by the customer.

This content is protected by Intellectual Property Rights Laws. The title to the content shall not pass to you, and instead shall remain with Abloy Oy or a third party holding the title. Abloy develops continuously the products and solutions offered. Therefore, the information contained in the document is subject to change without notice. ABLOY PROVIDES THIS CONTENT ON AN "AS IS" BASIS WITHOUT ANY WARRANTIES OF ANY KIND, EXPRESS, IMPLIED, OR STATUTORY."

ABLOY