

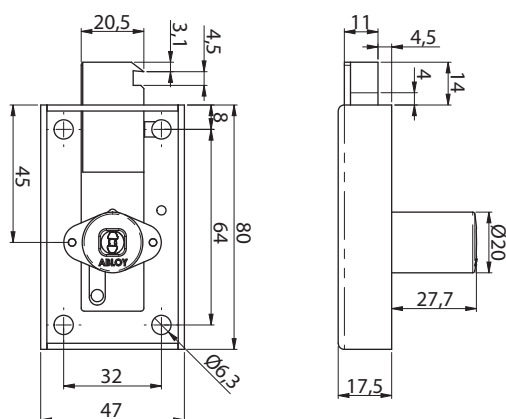
ABLOY® SC212

Safe deposit lock



Product description

A single security lock that mechanically works with the customer's key. An electric counter plate can be added to the lock, whereby the mechanical lock can only be opened when the electric counter plate is released. Closing is only possible with the customer's key.



Technical data

Available key systems	ABLOY PROTEC ² , ABLOY PROTEC3
Cylinder	Chrome plated zinc
Body	Nickel plated steel
Latch	Nickel plated steel
Key removal	Locked position
Weight	0,27 kg
Maximum door thicknesses:	27,7 mm

This content is protected by Intellectual Property Rights Laws. The title to the content shall not pass to you, and instead shall remain with Abloy Oy or a third party holding the title. Abloy develops continuously the products and solutions offered. Therefore, the information contained in the document is subject to change without notice. ABLOY PROVIDES THIS CONTENT ON AN "AS IS" BASIS WITHOUT ANY WARRANTIES OF ANY KIND, EXPRESS, IMPLIED, OR STATUTORY."