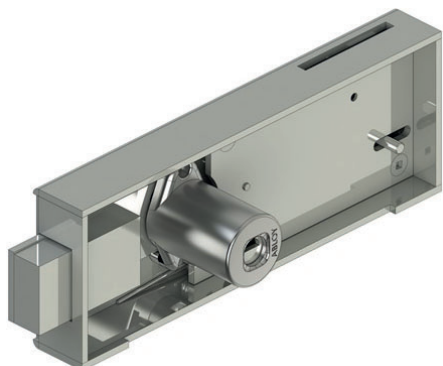
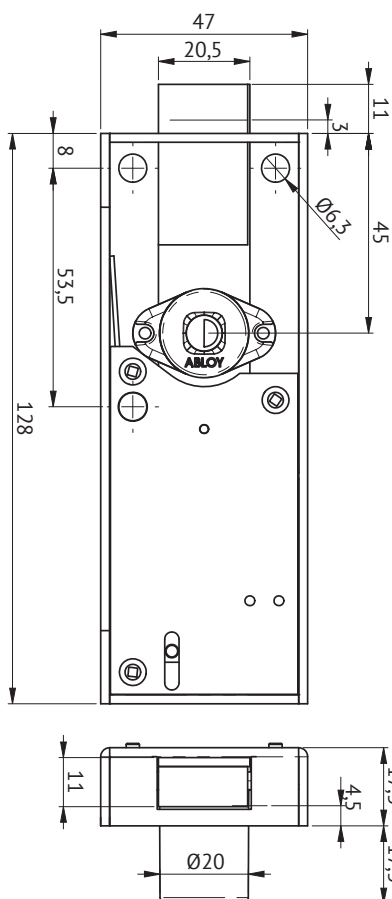


ABLOY® SC411 Coin operated lock



Product description

- Used in cash storage compartments and cabinets for example in sports halls and department stores. The ABLOY® Cash Advance Block is delivered either with a coin loader (800595), allowing the customer to get their coins back when the door is opened, or with the cashier SC414, leaving the coin inside the box. When ordering a lock, you must mention the coin that you want the lock to operate.
- The lock is used in right-hand doors.



Technical data

Available key systems	ABLOY SENTRY, ABLOY PROTEC, ABLOY CLASSIC
Cylinder	Chrome plated zinc
Body	Nickel plated steel
Latch	Nickel plated steel
Key removal	Locked position
Weight	0,41 kg
Maximum door thicknesses:	17,5 mm

This content is protected by Intellectual Property Rights Laws. The title to the content shall not pass to you, and instead shall remain with Abloy Oy or a third party holding the title. Abloy develops continuously the products and solutions offered. Therefore, the information contained in the document is subject to change without notice. ABLOY PROVIDES THIS CONTENT ON AN "AS IS" BASIS WITHOUT ANY WARRANTIES OF ANY KIND, EXPRESS, IMPLIED, OR STATUTORY."