

## ABLOY® CY208 Scandinavian round inner cylinder

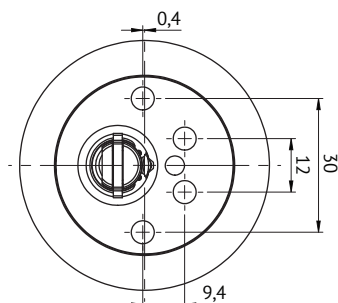
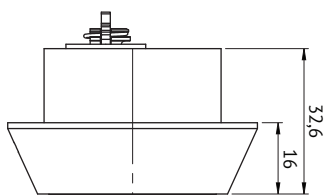
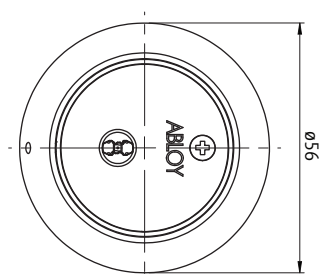


### Product description

High durability cylinder rings against pulling, twisting and sawing.

### Overview of Advantages

- Can be use with wide range of scandinavian type mortice lock cases for standard doors
- Suitable for both outer and inner door use
- Several plating options



### Technical data

Available key systems	ABLOY PROTEC <sup>2</sup>
Available plating options	Bright chrome (Cr), Satin chrome (HCr), Brushed nickel (NiHa)
Cylinder ring diameter	56mm
Cylinder ring height	16mm
Weight	0,44kg

This content is protected by Intellectual Property Rights Laws. The title to the content shall not pass to you, and instead shall remain with Abloy Oy or a third party holding the title. Abloy develops continuously the products and solutions offered. Therefore, the information contained in the document is subject to change without notice. ABLOY PROVIDES THIS CONTENT ON AN "AS IS" BASIS WITHOUT ANY WARRANTIES OF ANY KIND, EXPRESS, IMPLIED, OR STATUTORY."