

ABLOY® CY809

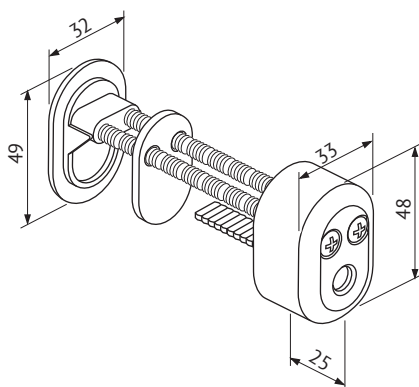
Interior cylinder for a balcony latch



Product description

Cylinder to be used with a balcony latch.

Operated from inside the door by a key.



Technical data

Available key systems	ABLOY PROTEC, ABLOY PROTEC ² , ABLOY SENTO, ABLOY CLASSIC
Available plating options	Chrome (Cr), Satin chrome (HCr)
Cylinder ring dimensions	48mm x 33mm x 25mm
Outside plate dimensions	49mm x 32mm
Weight	0.36kg

This content is protected by Intellectual Property Rights Laws. The title to the content shall not pass to you, and instead shall remain with Abloy Oy or a third party holding the title. Abloy develops continuously the products and solutions offered. Therefore, the information contained in the document is subject to change without notice. ABLOY PROVIDES THIS CONTENT ON AN "AS IS" BASIS WITHOUT ANY WARRANTIES OF ANY KIND, EXPRESS, IMPLIED, OR STATUTORY."