

ABLOY® CYP321 DIN / Europrofi le Single cylinder



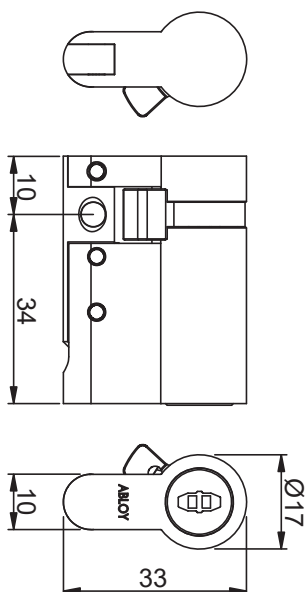
Product description

Single cylinder to be used with mortice lock cases and other applications with DIN / Europrofile cylinder dimensions.

Lock is operated by key from outside.

Overview of Advantages

- Can be use with wide range applications for DIN cylinders
- Suitable for both outer and inner door use
- Adjustable length with extension system to match different door thicknesses
- Adjustable locked position of cam
- Several plating options
- Dust cover



Technical data

Available key systems	ABLOY PROTEC ²
Available plating options	Bright chrome (Cr), Satin chrome (HCr), Brushed nickel (NiHa), Bright brass (MSKLa), Satin brass (MSHaLa)
Cylinder cross section according standard DIN 18252	
Length adjustable	with 5 mm steps 31–81 mm, with 10 mm steps 81–131 mm
Weight	0,17 kg

This content is protected by Intellectual Property Rights Laws. The title to the content shall not pass to you, and instead shall remain with Abloy Oy or a third party holding the title. Abloy develops continuously the products and solutions offered. Therefore, the information contained in the document is subject to change without notice. ABLOY PROVIDES THIS CONTENT ON AN "AS IS" BASIS WITHOUT ANY WARRANTIES OF ANY KIND, EXPRESS, IMPLIED, OR STATUTORY."

ABLOY