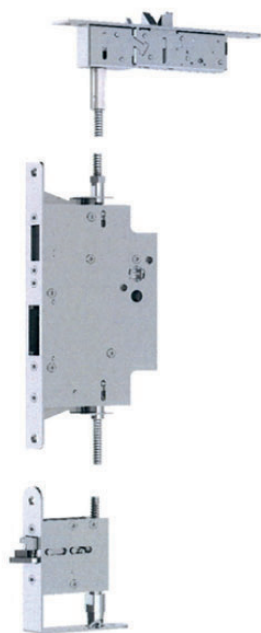


ABLOY® PE925

Passive door package for mechanical solid doors



Product description

PE925 is a passive door package for mechanical solid doors. The package works with LE981, LE985 and LE955. LE981 is a mechanical top lock with straight chest plate. Passive door package can be used with door automatics. PE925 is EN179- and EN1125-approved. PE925 is designed to be used only with PE160 and PE560. Exit can be done from active or passive door by handle or panic bar. Inside handle or panic bar works always mechanically, enabling safe exit.

Overview of Advantages

- Mechanical automatic locking system
- Non handed, left / right
- Exit side can be changed over
- Burglary-resistant due to dead bolt with 20 mm throw
- Exit function by inside handle or panic bar
- Suitable for fire doors
- Controllable outside handle *
- Mechanical override with cylinder

* Active door outside handle is controlled when equipped with handle controlled lock.

Versions available

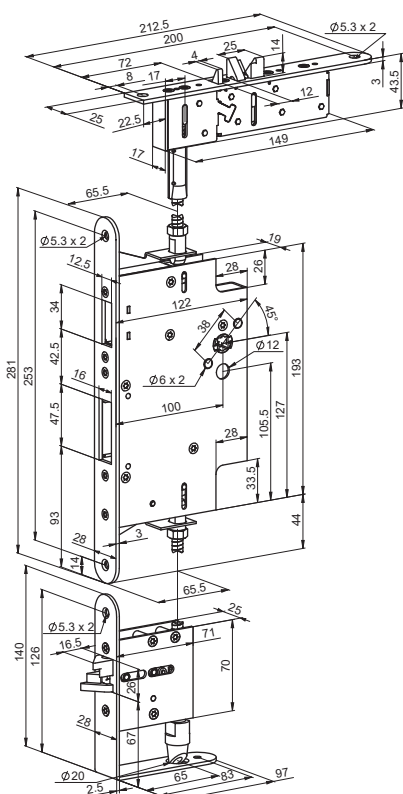
- Passive door package solid mech. LE981 + LE985 + LE955
- Passive door package solid mech (1,3) LE981 + LE985 + LE955
- Passive door package solid mech (2,4) LE981 + LE985 + LE955

Scope of delivery

- Centre lock LE955
- Top lock LE981
- Bottom latch LE985

Ordered separately

- Single handle set and spindle
- Cylinder(s) (e. g. CY321T)
- Lead cover EA280/281
- Handle/pull set (e.g. DH006/2750/115 PZBL)
- Cylinder (e.g. CY321T)



Technical data

Handing	Left/right
Exit function	Yes
Mechanical cylinder override	Yes
Latch	Top and bottom
Suitable for fire doors	Yes
EN 179:2008	376B1342AC
EN 1125:2008	376B1321AC
Max. Height	2300 mm
Max. Width	1320 mm
Max. Mass	200 kg

This content is protected by Intellectual Property Rights Laws. The title to the content shall not pass to you, and instead shall remain with Abloy Oy or a third party holding the title. Abloy develops continuously the products and solutions offered. Therefore, the information contained in the document is subject to change without notice. ABLOY PROVIDES THIS CONTENT ON AN "AS IS" BASIS WITHOUT ANY WARRANTIES OF ANY KIND, EXPRESS, IMPLIED, OR STATUTORY."