

SMARTair® i-locker

Wireless Online, Update on Card & Openow


Smart, wireless digital control that transforms locker management

SMARTair® wireless digital i-locker delivers robust, scalable access control for lockers, drawers, and cabinets. It works standalone or fully integrated with SMARTair systems. Keyless, centrally managed authentication — including mobile credentials — streamlines and simplifies secure storage.

RFID 13,56MHz and/or mobile credentials

USB C port for direct laptop connection, enabling initialization, firmware update, event retrieval, testing, and emergency opening

High visibility LED and buzzer for intuitive user feedback



Cable free installation, no locker modifications

Compatible with multiple locker dimensions, door widths, cam types, and configurations



Intelligent security

One firmware: all management options in one device, simplifying maintenance



Effortless scalability

One SMARTair Hub manages up to 60 lockers, reducing the number of hubs needed in an installation



Flexibility

Free or Assigned modes
In Free mode, Openow® app instantly highlights locker in use

SMARTair i-locker

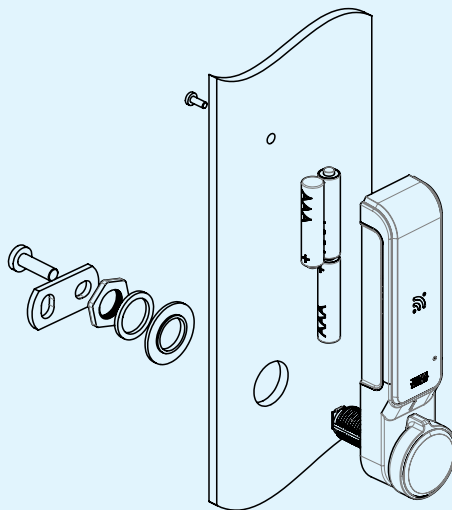
Technical information



Technical data and features	
General information	
Door profiles	Compatible with lockers, drawers, and cabinets
Traffic volume	Medium to high usage
Application	Suitable for installation in humid environments An optional gasket is available for enhanced protection
Installation	
Mounting	High compatibility for retrofitting existing cabinets and lockers Simple installation using a shaft and clamping screw
Hardware compatibility	Available in two lengths and one extra accessory: • Short model for 1-13 mm doors (short model + accessory for 23-33 mm doors) • Long model for 14-22 mm doors (long model + accessory for 34-42 mm doors)
Operation	
Operation modes	Free mode or Assigned mode
Status indication	LED indicator (green, blue, or red) and buzzer provide visual and audible alerts for conditions such as locked status, low battery, intrusion, incorrect cam position, and more
Power	
Power supply	Battery-powered (80,000 to 85,000 cycles)* with up to 2 years of standby time Battery type: 3 × LR03 AAA 1.5V alkaline batteries
Credentials	
RFID technologies	Compatible with: MIFARE Classic (1K, 4K) and DESFire (EV1, EV2 and EV3) in Free or Assigned modes MIFARE Ultralight and ISO15693 in Assigned mode only
Mobile compatibility	Openow® (Bluetooth Low Energy) TESA SMARTair (Remote opening app)
Certifications	
Market	CE, UKCA
Substances and disposal	ROHS, REACH, WEE
System management	
Upgradability	Openow can be activated on-site with activation card. Software licence upgrade required

SMARTair i-locker

Technical drawings and Electronic technical characteristics



Reader, control unit and battery module

- 13.56 MHz RFID supporting MIFARE Classic and DESFire in Free or Assigned modes, and MIFARE Ultralight and standard ISO15693 in Assigned mode only. Technology selection via software; no firmware change required
- Activation: Automatic when credential presented
- Reading distance: 2–4 cm (technology dependent)
- LED (green/blue/red) and buzzer deliver visual and audible alerts for status conditions including closed locker, low battery, intrusion, cam misalignment and more
- Non volatile memory supports up to 6,500 users and 1,200 events
- Real time clock & calendar: Up to 30 time-zones, 5 daily periods, automatic weekend recognition, 365 day holiday calendar, and automatic DST updates
- Battery module: Quick replacement; maintains clock/calendar for 5 minutes without batteries. Battery status reported on each event or once daily if idle
- Programming connection: USB C port for direct laptop connection, enabling initialization, firmware update, event retrieval, testing, and emergency opening. USB Type C to C 2.0 or higher required



Operating modes and special features

Operating Modes

- Free mode: Any user may take an available locker; once reopened, it becomes free again
- Assigned mode: Users access their designated locker

Additional Modes (via software state tables)

- Passage: Locker remains unlocked; locking disabled (automatic or manual activation)
- Standard: Locker locked; authorized credential to open
- Double user: Two authorized credentials to unlock

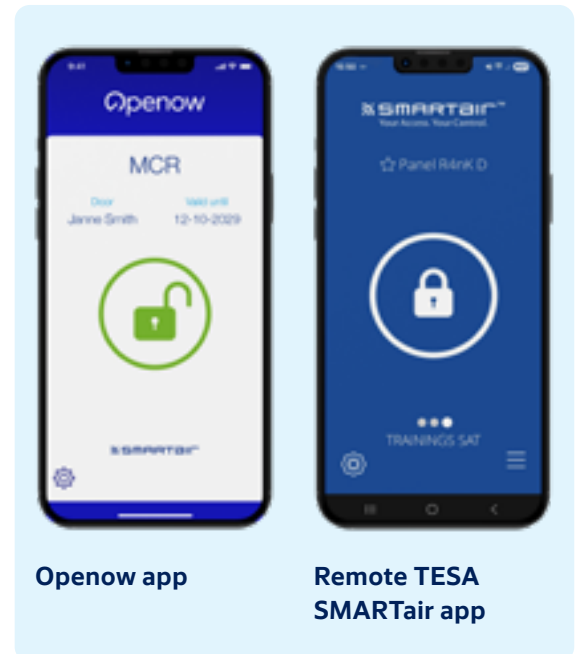
Special Features

- Standard/ADA timing: Standard opening time 1–240 seconds; ADA users receive double the time
- Close with or without credential: In Assigned mode, the user locks unit by turning the latch alone or by turning it while presenting a credential. This setting can be configured in the software for each locker individually
- Free mode enhancement:
 - In Free mode, Openow app displays the assigned locker number instantly
 - The i-locker can be set to automatically unlock after a chosen number of hours.



Mobile Solutions (Openow / Remote TESA SMARTair)

- Openow app: BLE hardware included by default. Functionality can be factory enabled or activated on site with an activation card. Requires software licence activation
- Remote TESA SMARTair app: Requires wireless i locker model. Functionality must be enabled with software licence

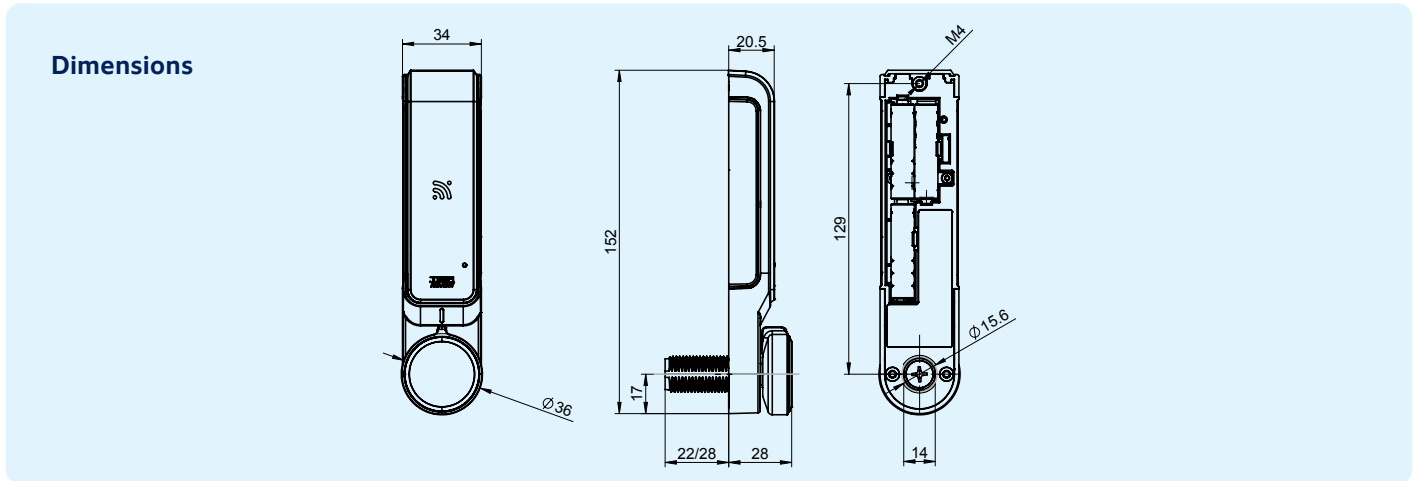


Openow app

Remote TESA SMARTair app

SMARTair i-locker

Mechanical technical characteristics

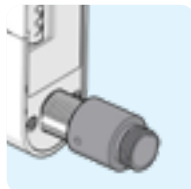


General dimensions

152mm x 34mm x 20.5mm

Shaft dimensions

- Compatible with lockers with standard 22mm mortise cut out
- Shaft diameter: 15.6mm
- Shaft length. Two models:
 - Short: 1-13 mm door width
 - Long: 14-22 mm door width
- Extra accessories:
 - XL Shaft:
 - For 23-33mm door widths, with short model
 - For 34-42mm door widths, with long model
 - Special gasket: extra protection in humid areas



Cams

- The i-locker is supplied with a standard flat cam (1)
- More cams available: Flat, Offset, or with hook. Please consult



i-locker available models:

- S4CL2S UOC. Short shaft
- S4CL2L UOC. Long shaft
- S4BL2S UOC with Openow. Short shaft
- S4BL2L UOC with Openow. Long shaft
- S4FL2S Wireless. Short shaft
- S4FL2L Wireless. Long shaft
- S4ZL2S Wireless with Openow. Short shaft
- S4ZL2L Wireless with Openow. Long shaft

© Images: All rights reserved by iStock and ASSA ABLOY. We reserve the right to make technical modifications. Version: AA_SMARTair_i-locker_Datasheet_2026-04_UK

Abloy UK
 Digital Access Solutions
 Portobello Works
 School Street
 Willenhall
 WV13 3PW
 United Kingdom

ASSA ABLOY

Phone: +44 1902 364 500
 info@abloy.co.uk
 www.abloy.co.uk
 www.assaabloy.com