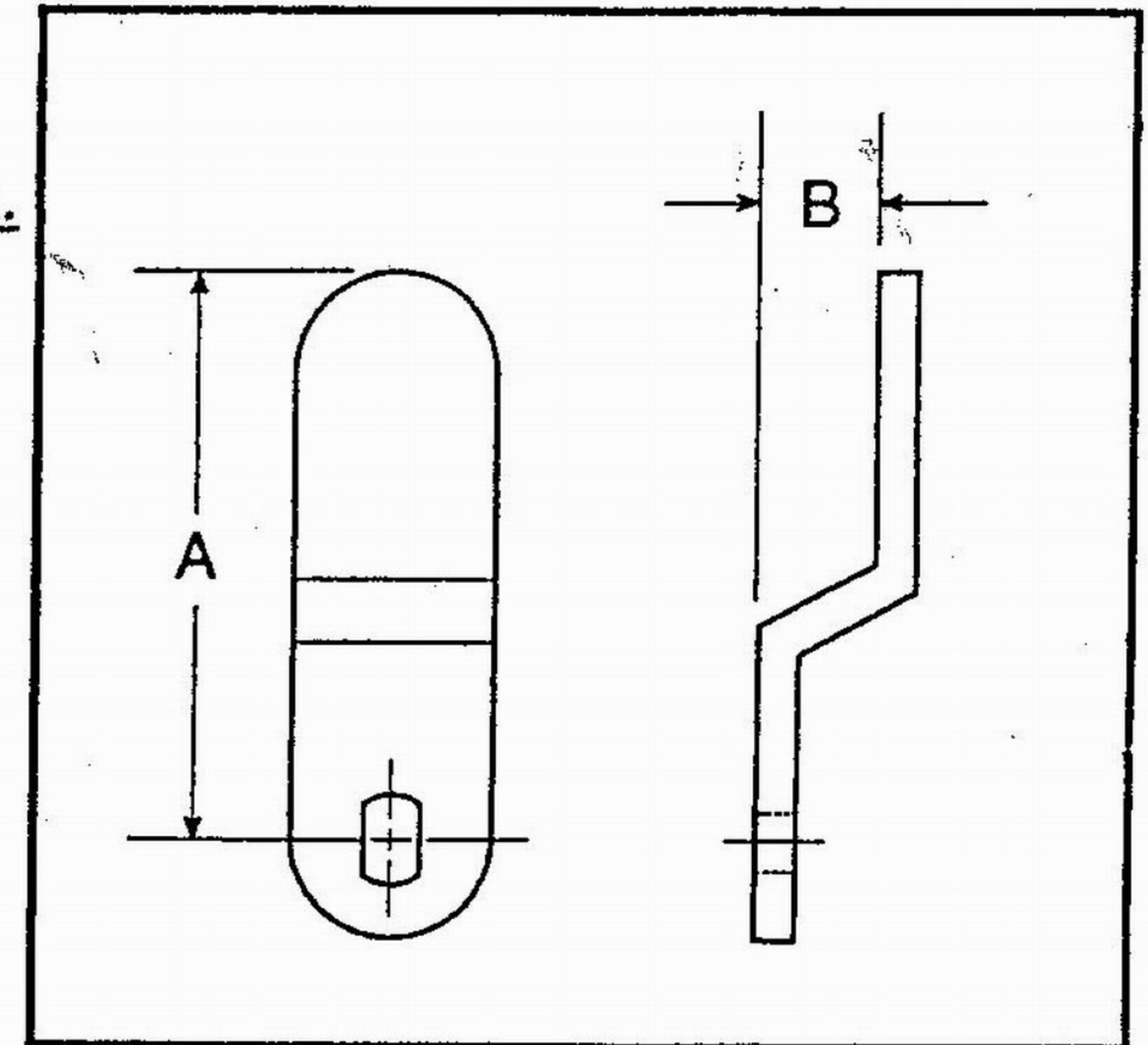


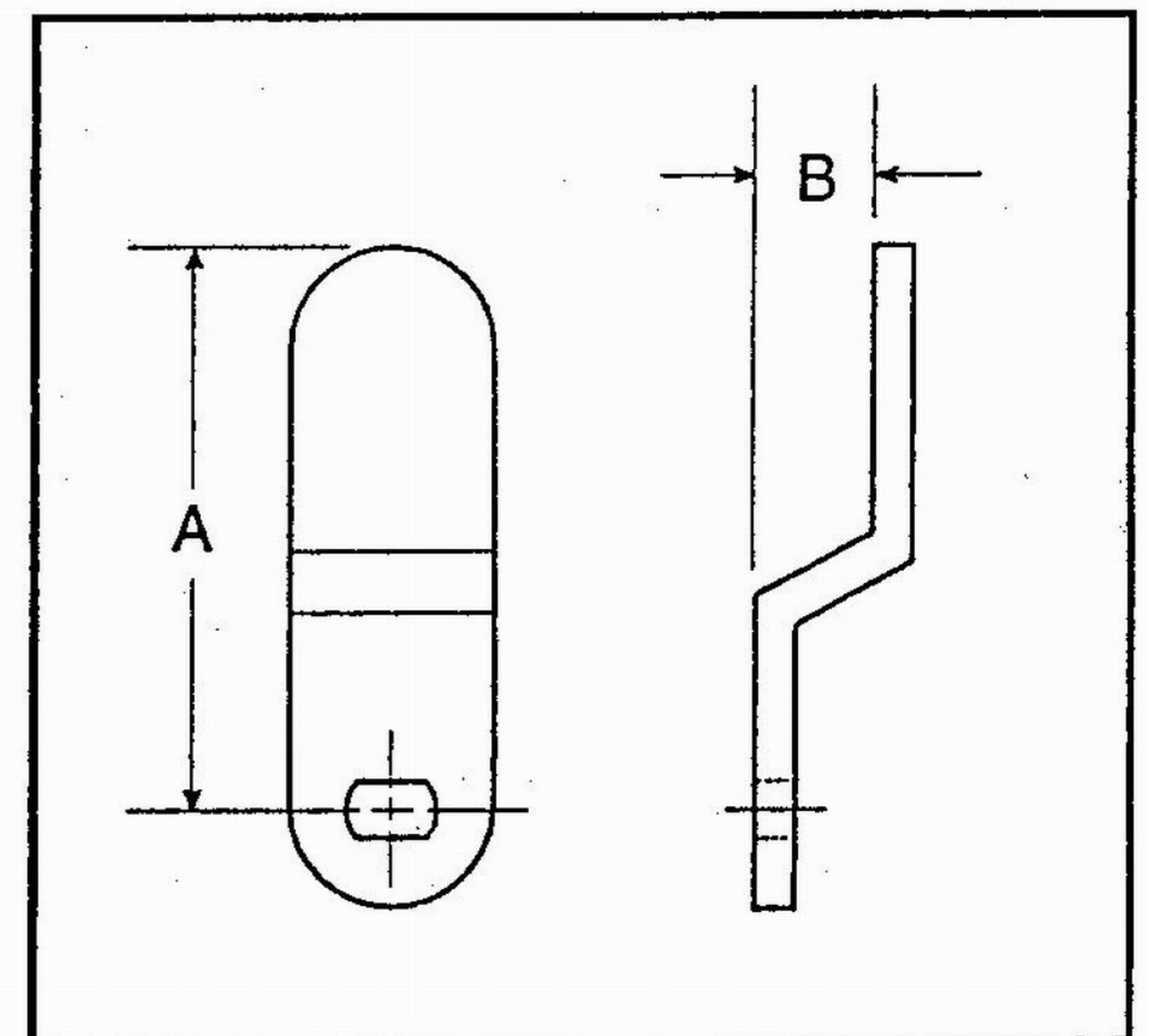
Regular – Offset Cams

Part No.	"A" Dim.	"B" Dim.	Part No.	"A" Dim.	"B" Dim.
7 302 400 00	1-1/4"	1/2"	7 312 200 00	1-3/8"	1/4"
7 309 400 00	1-1/8"	1/2"	7 312 300 00	1-1/4"	3/8"
7 310 200 00	1"	1/4"	7 312 900 00	1-1/4"	1/16"
7 311 200 00	1-1/8"	1/4"	7 314 100 00	1-1/2"	1/8"
7 311 500 00	1-1/8"	5/8"	7 314 300 00	1-1/2"	3/8"
7 312 100 00	1-1/4"	1/8"	7 315 100 00	1-5/8"	1/8"



Irregular – Offset Cams

Part No.	"A" Dim.	"B" Dim.
7 411 300 00	1-1/8"	3/8"
7 411 800 00	1-5/8"	1/8"
7 411 900 00	1-5/8"	1/4"
7 413 200 00	1-3/8"	1/4"
7 414 100 00	1-1/2"	1/8"
7 414 200 00	1-1/2"	1/4"
7 415 000 00	2"	1/16"
7 416 100 00	1-3/4"	1/8"



Double-Punched – Offset Cams

Part No.	"A" Dim.	"B" Dim.
7 187 000 00	1"	1/8"
7 188 000 00	1-1/2"	3/8"
7 189 000 00	2-1/4"	7/16"
7 190 000 00	1-3/4"	1/4"
7 191 000 00	1-1/4"	1/4"
7 192 000 00	1-1/2"	1/4"

