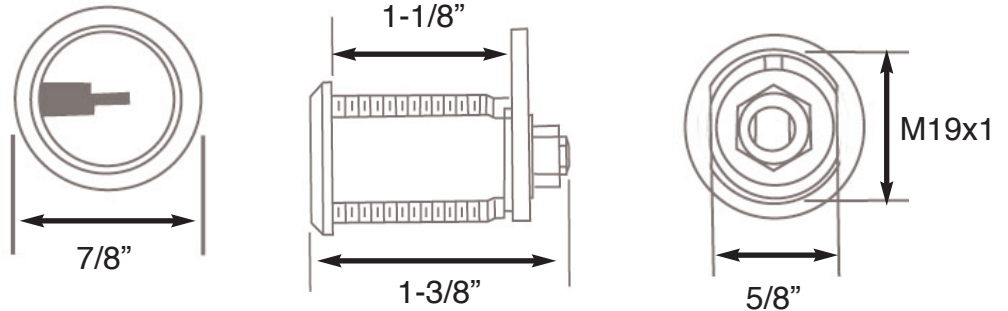


ASSA[®] Desmo RC

Cam Lock Specifications

AD395

1-1/8" Cam Lock
1/4" Head Thickness



AD396

5/8" Cam Lock
3/4" Head Thickness

