

# InfraLOCK™ High-Security Locking Manhole System

Manhole covers made stronger and smarter.

## An easy high-security upgrade for critical underground infrastructure.

There is a world of critical infrastructure underground, and entry points are everywhere. Often, they are only protected by a manhole cover, with few if any security measures around it. This makes them vulnerable points of entry for thieves, vandals, and terrorists, who are increasingly sophisticated in their methods.

Companies in industries that manage critical underground infrastructure are looking for high-security solutions to address this vulnerability. If a security breach happens, it could result in property damage, service disruptions, or risks to public health. Stronger and smarter security for manholes is a necessity.



The InfraLOCK™ is a high-security locking system that brings together a Neenah Foundry cast iron manhole solution and an ABLOY PLM340 Super Weather Proof (SWP) padlock. The cover is furnished with a cast iron plug that conceals the weather-resistant padlock housing.

When unlocked, the hardened steel constructed padlock swings to the side – and by design – cannot be removed from the

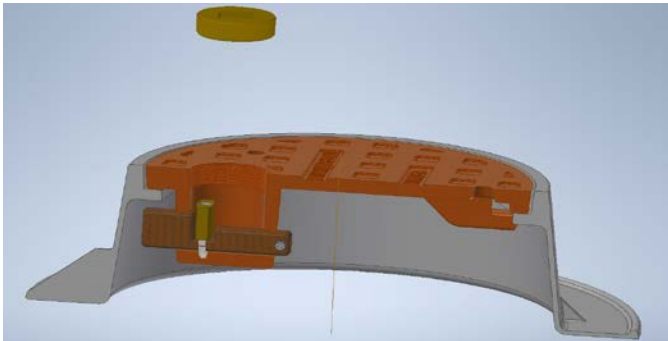


**NEENAH** **NF**  
FOUNDRY

housing. A pullback on a cast iron bar releases the locking mechanism and allows the cover to be removed.

InfraLOCK operates just like a normal manhole cover. It has no ancillary parts to be assembled and can be retrofit into existing frames without demolition. The housing can be fitted to virtually any standard manhole cover. This is an improvement from costly under lid disc systems on the market that require lock bars and extra hardware to work properly.

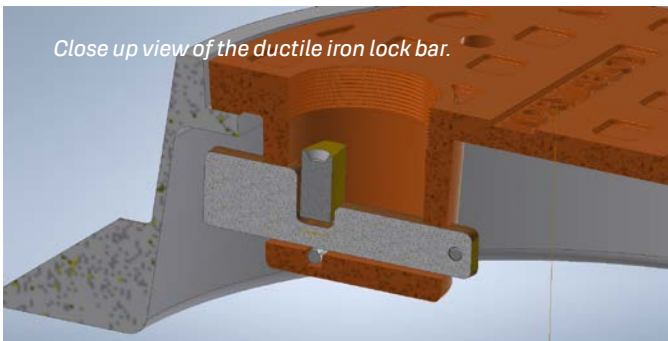
# Stands up to tampering, extreme weather conditions, and the test of time.



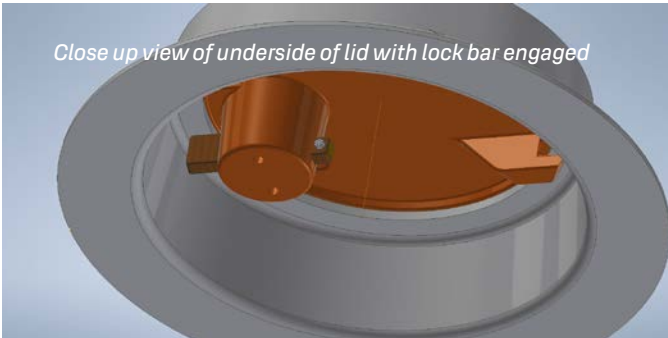
Top down look at the housing with lock in the locked position



Close up view of the ductile iron lock bar.



Close up view of underside of lid with lock bar engaged



**ABLOY is the only company in the world with both High-Security Mechanical and High-Security Electronic Locks to protect your critical infrastructure.**

As with all ABLOY locking systems, the InfraLOCK's PLM340 padlock offers innovative options that bring flexibility and greater accountability to your operations. It is available as a mechanical padlock, an electromechanical padlock, or a keyless Bluetooth-enabled padlock.

This flexibility provides a money-saving solution because your security needs may vary depending on what part of the network is being protected. So rather than buying electronic locks for your whole network, you can use a mix of both. You can also easily integrate InfraLOCK manhole covers into an existing ABLOY system of mechanical and electromechanical locks.

## ABLOY® SUPER WEATHER PROOF (SWP)

The pick-resistant and bump-proof rotating disc cylinder lock is the central feature of all ABLOY keyed locks. The InfraLOCK's PLM340 is also Super Weather Proof, a necessary feature when most manholes are exposed to the elements all year long.

The components in ABLOY Super Weather Proof (SWP) padlocks are extremely well-protected, and our rigorous testing shows they meet or exceed all quality standards.

We also offer additional options like caps and dust covers for the key insert. SWP locks are:

- Tested and patented
- ATEX classified
- Suitable lock cylinders available for every application
- Robust and IP68 classified padlocks with CLIQ functionality for the harshest conditions



# Control access from anywhere with ABLOY access control solutions



This is your Digital Bridge to total access control, from mechanical solutions to electromechanical and more:

Managed by  
CIPE Manager



Keyless solution  
**ABLOY® BEAT**  
**SEOS**

- An IP68-rated weatherproof Bluetooth padlock
- A novel, encrypted digital key controlled with mobile app and the CIPE Manager interface
- Get high-security access control without a physical key



Electromechanical solution  
**PROTEC2 CLIQ™**

- Control authorized timed access for staff and contractors remotely
- Gain operational efficiency in key collection
- Battery in key, no recharge needed
- Produce full audit trail reports easily
- Delete lost keys
- Integration with a permit to work
- 100% control of all keys 100% of the time
- Controlled through CIPE Manager



Mechanical solution  
**ABLOY® Master Key Systems**

- Different products can be keyed in the same master system
- 1.97 billion different key combinations
- Durable with a smooth and reliable functionality
- Can be combined with Cliq for more security and flexibility



An easy and convenient high-security upgrade.  
Contact your distributor or visit [www.abloyusa.com](http://www.abloyusa.com)  
for more information.

800.367.4598 | [ABLOYUSA.COM](http://ABLOYUSA.COM)

ABLOY offers security and locking innovations dedicated to creating more trust in the world. Combining digital and mechanical expertise, Abloy Oy develops industry-leading security solutions that protect people, property and business. Abloy is part of the ASSA ABLOY Group, the global leader in access solutions. Every day, we help billions of people experience a more open world.

Abloy Security  
6005 Commerce Drive #330  
Irving, TX 75063  
Tel. 972.753.1127  
800.367.4598  
[info@abloyusa.com](mailto:info@abloyusa.com)  
[WWW.ABLOYUSA.COM](http://WWW.ABLOYUSA.COM)

This content is protected by Intellectual Property Rights Laws. The title to the content shall not pass to you, and instead shall remain with Abloy Oy or a third party holding the title. Abloy develops continuously the products and solutions offered. Therefore, the information contained in the document is subject to change without notice. ABLOY PROVIDES THIS CONTENT ON AN "AS IS" BASIS WITHOUT ANY WARRANTIES OF ANY KIND EXPRESS, IMPLIED, OR STATUTORY."

