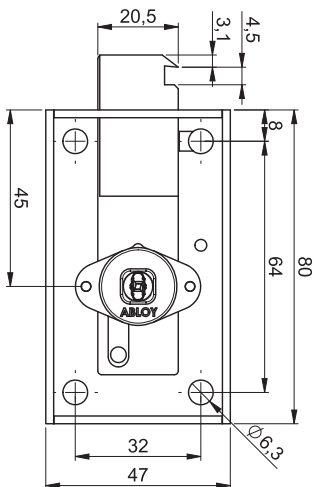
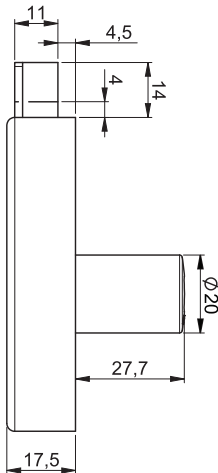


### Product description

- A single security lock that electromechanically works with the customer's key.
- Closing is only possible with the customer's key.



### Technical data

Available key systems	ABLOY PROTEC <sup>2</sup> CLIQ
Cylinder	Chrome plated zinc
Body	Nickel plated steel
Latch	Nickel plated steel
Key removal	Locked position
Weight	0,27kg
Maximum door thicknesses:	27,7 mm

We reserve the right to make alterations to the products described in this leaflet.