



Product description

The high security lock with handle control EL570 is used especially in situations where the advantages of handle-controlled unlocking have to be combined with the mechanical security requirements. The integrated monitoring contacts from the lock can be connected to the different systems.

External handle is engaged electrically, e.g. by electric access control. By pressing engaged handle, dead bolt is retracted and double action latch released.

Inside handle opens lock mechanically (exit function), no need for electric control.

When door closes, dead bolt is thrown out automatically, latch bolt is blocked and the lock cases is secured in two points.

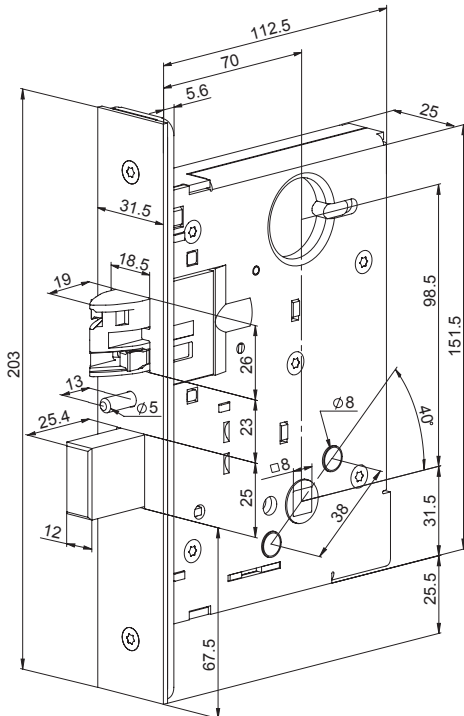
The exit side settings and selecting between fail-locked and fail-unlocked can be performed on the lock as required.

Overview of Advantages

- Mechanical automatic locking system
- Non handed, left / right
- Exit side can be changed over
- Can be changed between fail-unlocked & fail-locked
- Burglary-resistant due to dead bolt with 25.4 mm throw
- Exit function by inside handle
- Suitable for fire doors
- Controllable external handle
- Mechanical override with cylinder from outside
- Monitoring functions
 - Door closed
 - Dead bolt and latch dead locked
 - Handle indication, inside and outside handle

Scope of delivery

- 1 pcs lock case and strike plate
- Operating manual and drilling template



Technical data

Handing	Non handed, left / right
Exit function	Yes
Mechanical cylinder override	Yes
Latch	Double action latch
Suitable for fire doors	Yes
Monitoring contacts	Yes
Load bearing capacity micro switch	0.1 A, 30 VAC / DC, resistive load
Input operating voltage	12-24 DCV
Rated current consumption	12 V DC idle 240 mA, max. 550 mA 24 V DC idle 130 mA, max. 300 mA
Bolt strength	Latch bolt: 5300N Dead bolt: 6000N
Bolt load	Latch bolt: 1600N Dead bolt: 2700N
UL File numbers	UL1034: BP8853 Vol 1
Certification	R38564
BHMA evaluation	BH25
Weight	1.39 kg

We reserve the right to make alterations to the products described in this leaflet.