

# ABLOY® DOUBLE EXIT DOOR SOLUTION

*Europrofile range*



---

## STANDARDS PROVES SAFETY

---

**ABLOY® EXIT** products provide high-security door environment with guaranteed easy exit in every situation. By using these products you can rely on the security provided against burglaries and other external threats and yet know the safety of the exit way is on the best possible level.

The whole **ABLOY® EXIT** product range is designed and officially tested according to the latest standards to ensure perfect function both in everyday use and in case of an emergency. The **ABLOY®** electric locks offer a complete high-security solution wherever electric security of access control combined with mechanical locking safety is needed e.g. fire doors and exit doors. By using the latest technology a new generation of **ABLOY®** locks for double leaf exit doors are developed to give safety and security to the utmost demanding door environments.

---

### EXIT

Both door leaves are always equipped with inside handles or panic bars, so that both of the door leaves can be opened safely in every situation, individually or simultaneously.

### ENTRANCE

Entrance from outside is possible through active door leaf by using a key and alternatively by handle when electrically controlled. Passive door leaf stays locked.

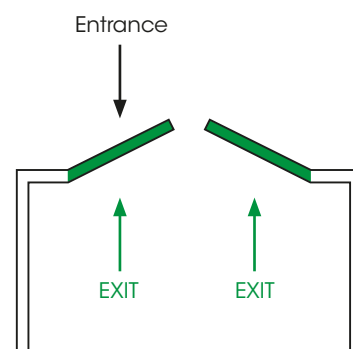
### ELECTRIC POSSIBILITIES

When the active door leaf is equipped with motor lock and passive door leaf with electrical locking solution, both door leaves can be equipped with door automation for both exit and entrance. This high-level combination enables easy passage through automatically operated doors.

### CONSTRUCTION

The lock case for active door leaf can be chosen from the range of **ABLOY®** electric locks

according to the needs and demands of the door environment. The locking of the passive door leaf consists of a combination of three separate locks; a middle lock, a top frame lock and a bottom latch. This three point locking gives the door a great support against external threats. Despite of the high level security the passive door lock is as easy and light to open as any other **ABLOY®** electric lock. The level of comfort of passage through passive door leaf can be chosen between mechanical and electrical solution.



Especially on critical entrances and exit doors the meaning of safety and security is emphasized. By testing our products officially we ensure that they fulfil administrative orders, have the best possible reliability and maximized safety. By testing continuously we can provide high-quality products to demanding environments.



## EMERGENCY EXIT STANDARD

EN 179

- exit by handle or push pad
- opening with single hand operation
- emergency exits people in the premises are familiar with

### Applications:

Offices, meeting rooms, classrooms, small enterprises etc.



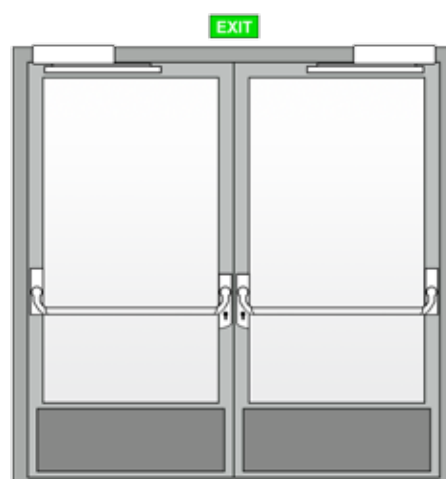
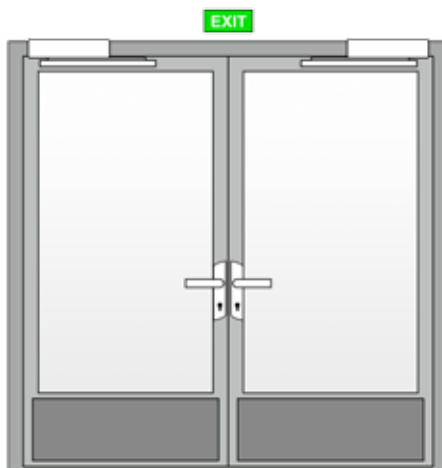
## PANIC EXIT STANDARD

EN 1125

- exit by panic bar
- opening with single operation (e.g. push against the door)
- main exit routes of buildings where people have no prior knowledge of escape routes

### Applications:

Theatres, shopping centres, schools, institutions, hospitals, sport centres, etc.



## ABLOY® DOUBLE EXIT DOOR PRODUCTS MEET THE FOLLOWING STANDARDS

EN 179	Exit	EN 61000-6-3	EMC
EN 1125	Panic exit	EN 12209	Mechanical resistance
EN 1634-1	Fire resistance	EN 14846	Electric locks
EN 61000-6-1	EMC		

GOST-R

*Abloy lock cases are always tested according to the latest versions of the standards.*

# MECHANICAL EXIT SOLUTION

## PRODUCTS for Mechanical passive door solution

Passive door leaf can always be opened by handle or panic bar.

Active door leaf can be equipped with Motor lock PE420, PE520

- 1-way access controlled interior and exterior doors

Handle controlled lock PE460, PE560

- 1-way access controlled, interior doors

Mechanical lock PE060, PE160

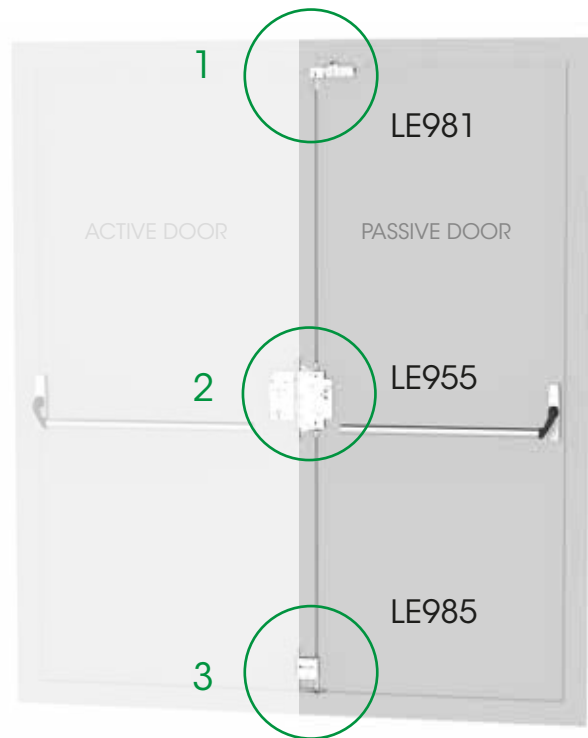
- interior or exterior doors

## NARROW STILE DOORS



**PE920** Passive door leaf products for narrow profile doors (incl. LE931, LE945, LE935) are ordered by product code PE920.

## WOODEN OR METAL DOORS



**PE925** Passive door leaf products for wooden or metal doors (incl. LE981, LE955, LE985) are ordered by product code PE925.

### 1 TOP LOCK

- Double action bolt deadlocks automatically: mechanical function.

### 2 CENTRE LOCK

- Releases deadlocking from the active leaf lock case and pushes the bolt in.
- Releases the deadlocking from top lock and retracts the bottom latch.

### 3 BOTTOM LATCH

- Automatic latch bolt, latches when the active door is closed.

# ELECTROMECHANICAL EXIT SOLUTION

Electromechanical passive door solution for swing door automatics

Passive door leaf can always be opened by handle or panic bar.

The top lock of the passive door leaf can be released electrically to enable the use of a door operator.

Active door leaf is equipped with a motor lock (PE420, PE520) and a door operator

## NARROW STILE DOORS



**PE923** Passive door leaf products for narrow stile doors (incl. LE941, LE945, LE935) are ordered by product code PE923.

## WOODEN OR METAL DOORS



**PE928** Passive door leaf products for wooden or metal doors (incl. LE951, LE955, LE985) are ordered by product code PE928.

### 1 TOP LOCK

- Double action bolt deadlocks automatically; electrically controlled

### 2 CENTRE LOCK

- Releases deadlocking from the active leaf lock case and pushes the bolt in.
- Releases the deadlocking from top lock and retracts the bottom latch.

### 3 BOTTOM LATCH

- Automatic latch bolt, latches when the active door is closed.

# TECHNICAL DETAILS

TECHNICAL DETAILS				
	Backset		Mechanical function	Electrical function
	35 mm	100 mm		
PE920	x		x	
PE923	x			x
PE925		x	x	
PE928		x		x

ELECTRICAL DETAILS: PE928 AND PE923			
	Voltage: U/V	Current consumption: I/mA	
		max	normal
	12 V	550 mA	240 mA
	24 V	300 mA	130 mA
Lock relay	0.4 A 30 V AC/V DC max. 10 W		

## DOOR HANDING

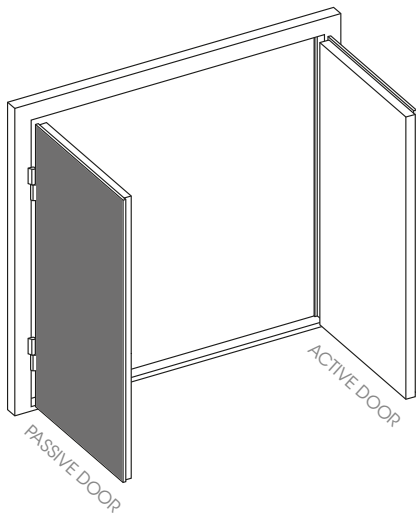
### WHEN ORDERING, PLEASE NOTE THE DOOR HANDING

Exit door should always open outwards, to prevent the doors blocking the exit route. There are two different lock handing options, depending on which door leaf is the passive door leaf.

Straight forend available for both narrow stile and wooden/metal doors. For rebated doors available both right and left handed versions.

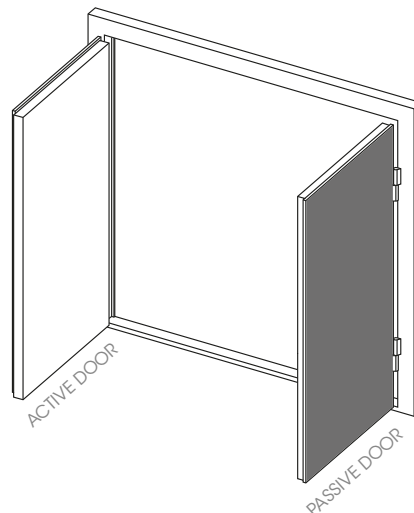
### LEFT-HANDED PASSIVE DOOR (3)

Right-handed active door (4)



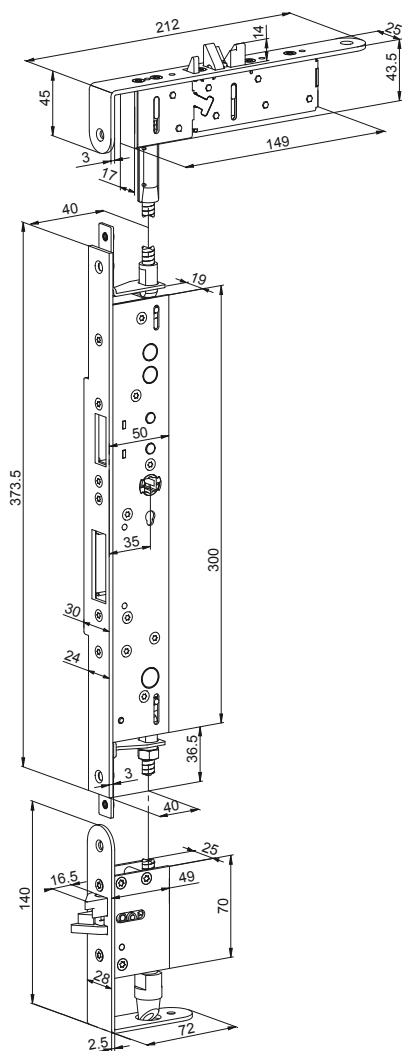
### RIGHT-HANDED PASSIVE DOOR (4)

Left-handed active door (3)

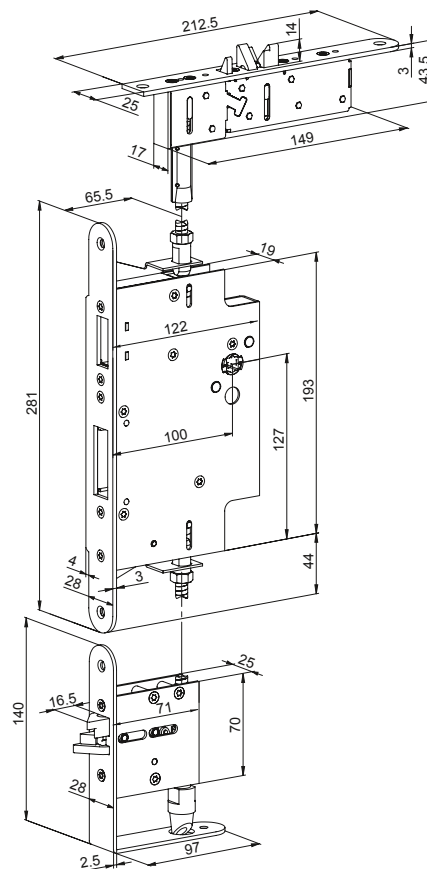


# DIMENSIONS OF PASSIVE LEAF LOCK SET

## NARROW STILE DOORS

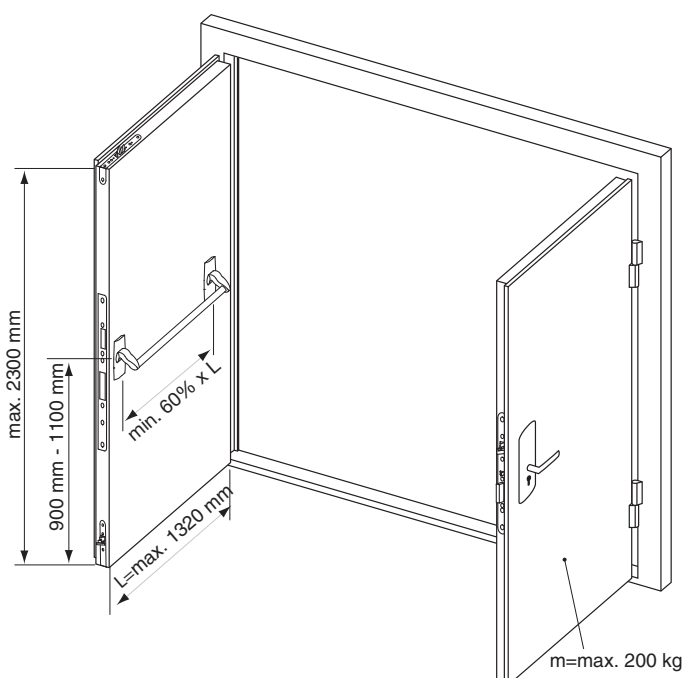


## WOODEN OR METAL DOORS



## DOOR ASSEMBLY ACCORDING TO EN-STANDARDS

- The locking combination is tested according to standard with maximum door mass of 200 kg
- The standard delivery of the passive door solution allows the assembling into doors up to 2300 mm, the maximum door height approved by the EN-standards is 2520 mm
- The height of the middle lock, handles and panic bars is defined by the standard in between 900 mm - 1100 mm
- The door width is defined according to the standard between 880 mm - 1320 mm
- The width of the panic bar has to be minimum 60% of the door width



# STANDARD APPROVED COMBINATIONS

## EMERGENCY EXIT DEVICES ACCORDING TO EN 179

The following products are approved to be installed together in an emergency exit door to conform EN 179.

Narrow stile doors (PE920, PE923)	ABLOY® DO 20.33.01 DO 20.33.02	IKON DO 20.15.02	FSB DO 20.03.01, DO 20.03.02	HEWI DO 20.13.01, DO 20.13.02	SAPEX DO 20.32.01 DO 20.32.02
	ABLOY® INOXI 3-19/013/120 PZ+BL	e.g. S6B8	1016, 1023, 1056, 1070, 1080, 1088, 1090, 1117, 1118, 1119, 1137, 1146, 1155, 1160, 1161, 1162, 1177, 1178, 1191, 0612, 0616, 0617, 0619, 0625, 0627, 0628, 0646, 0662, 0665, 0680, 0681, 0682, 0688	111, 111.23, 114.23GK, 131, 132, 111X, 113X, 114X, 161X, 163X, 171X, 112X, 165X, 166X	e.g. 60-00819
Wooden and metal doors (PE925, PE928)	ABLOY® DO 20.33.01 DO 20.33.02	IKON DO 20.15.02			SAPEX DO 20.32.01 DO 20.32.02
	ABLOY® INOXI 3-19/012/120 PZ+BL	e.g. S4K6			e.g. 60-0419, 60-0319

The safety features of this product are essential to its compliance with EN 179. No modification of any kind, other than those described in the installation manual, are permitted.

## PANIC EXIT DEVICES ACCORDING TO EN 1125

The following products are approved to be installed together in a panic exit door to conform EN 1125. The push bars can be installed for example with above mentioned outside fittings (Table EN 179) to conform EN 1125.

Narrow stile doors (PE920, PE923)	effeff DO 30.04
	8000-00-1100 (-), 8000-10-1100 (PZ)
	8000-00-1100 (-), 8000-11-1100 (RZ)
Wooden and metal doors (PE925, PE928)	effeff DO 30.04
	8000-00-1100 (-), 8000-20-1100 (PZ)
	8000-00-1100 (-), 8000-21-1100 (RZ)

The safety features of this product are essential to its compliance with EN 1125. No modification of any kind, other than those described in the installation manual, are permitted.

This document may not be used in the installation of a lock. Drilling and wiring diagrams and installation instructions are included in the installation manual, which is included in each lock case package. We reserve the right to make alterations to the products described in this leaflet.



# ORDERING INFORMATION

## STANDARD PACKAGE FOR PASSIVE DOOR

- Passive door lock set
- Strike plates for top and bottom latch
- Connecting rods for top and bottom latch
- Doorstep bolt
  - Optional models available for different door gaps
- Mounting rack for centre lock case
- Fixing screws
- Spindle adapters
- Installation manual

## PLEASE SPECIFY FOLLOWING DETAILS WHEN ORDERING

- Door Type
  - wooden / metal, flush or rebated door
  - narrow stile door
- Door Handing
- Locking type for passive door (Product code PE9xx)

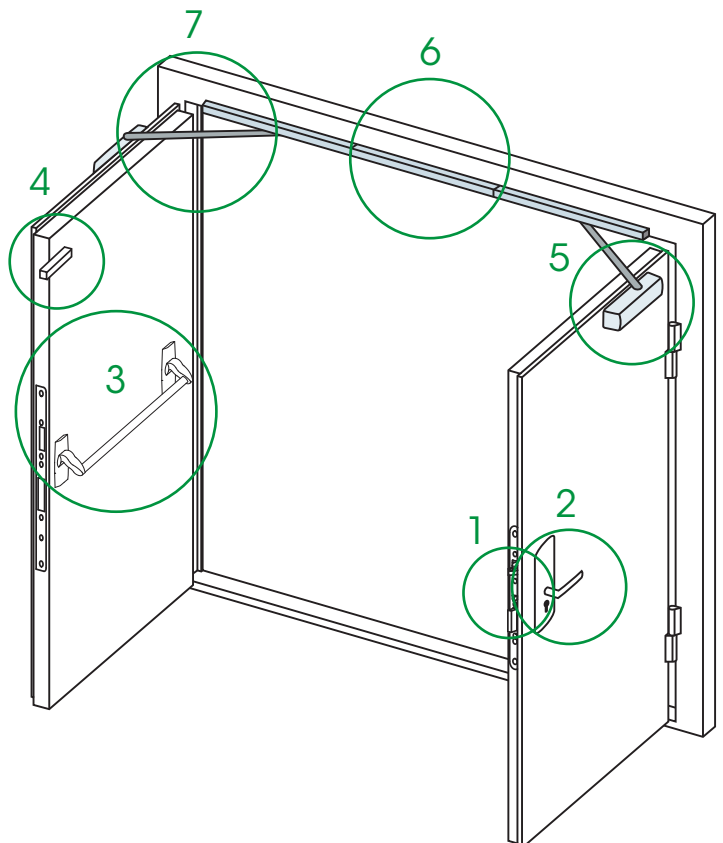
## PLEASE ORDER SEPARATELY

- 1 Active door lock
- 2 Handles and escutcheons
- 3 Exit devices
- 4 Carry bar
- 5 Door closers
- 6 Door Coordinators

*Optional:*

- 7 For electromechanical EXIT solution only: Door operators with accessories

For further information, please check the relevant product brochures.





[www.abloy.com](http://www.abloy.com)

Abloy Oy  
Wahlforssinkatu 20  
P.O.Box 108  
FI-80101 JOENSUU  
FINLAND  
Tel. +358 20 599 2501  
Fax +358 20 599 2209

