

## ABLOY® LC802

### High security lock case for ABLOY deadbolt cylinders



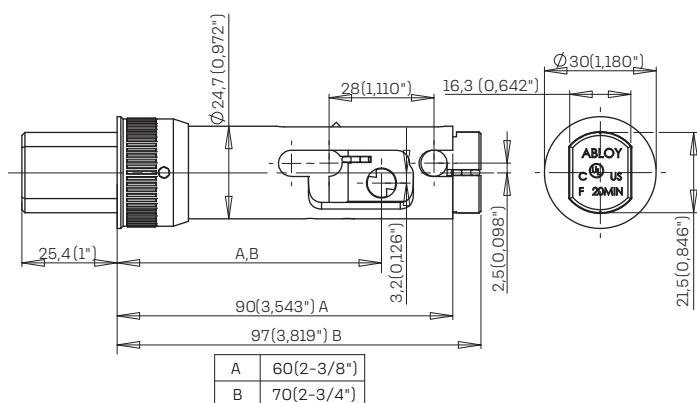
**Product description**  
High Security H2X bolt

**Overview of Advantages**

- UL listed products
- Hardened steel
- Full 2" bolt will withstand 2 tons force

**Technical data**

Available plating options ??	Bright chrome (Cr), Brushed chrome (CrHa), Bright brass (MSKiLa), Satin brass (MSHaLa)
Length adjustable	60mm or 70mm
Suitable for fire doors	Yes
UL listed product	Yes
Weight	0.29kg



This content is protected by Intellectual Property Rights Laws. The title to the content shall not pass to you, and instead shall remain with Abloy Oy or a third party holding the title. Abloy develops continuously the products and solutions offered. Therefore, the information contained in the document is subject to change without notice. ABLOY PROVIDES THIS CONTENT ON AN "AS IS" BASIS WITHOUT ANY WARRANTIES OF ANY KIND, EXPRESS, IMPLIED, OR STATUTORY."