

ABLOY® KD202X

Wall mounted key deposit housing with a cover plate



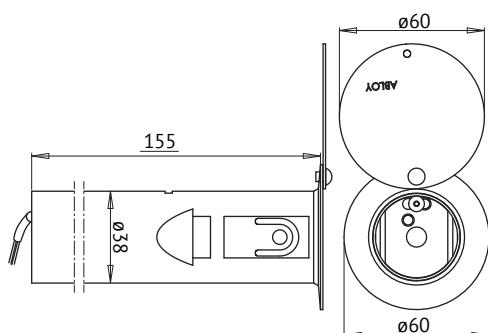
Product description

Comes with a microtrigger for monitoring usage.

Can be outfitted with the CY190 cylinder.

Overview of Advantages

- Zinc coating, chromed cover plate
- Product is tested and certified according to the most demanding standards SFS 5970, SFS 7020, FA security grade 3



Technical data

Available plating options	Zinc coating, chromed cover plate
Cylinder size	Diameter 38mm, length 155mm
	FA3
Weight	0.35kg

This content is protected by Intellectual Property Rights Laws. The title to the content shall not pass to you, and instead shall remain with Abloy Oy or a third party holding the title. Abloy develops continuously the products and solutions offered. Therefore, the information contained in the document is subject to change without notice. ABLOY PROVIDES THIS CONTENT ON AN "AS IS" BASIS WITHOUT ANY WARRANTIES OF ANY KIND, EXPRESS, IMPLIED, OR STATUTORY."