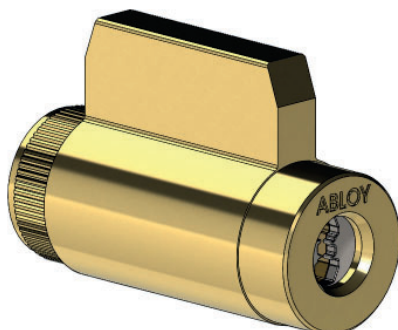


ABLOY® CY516 Cam lock

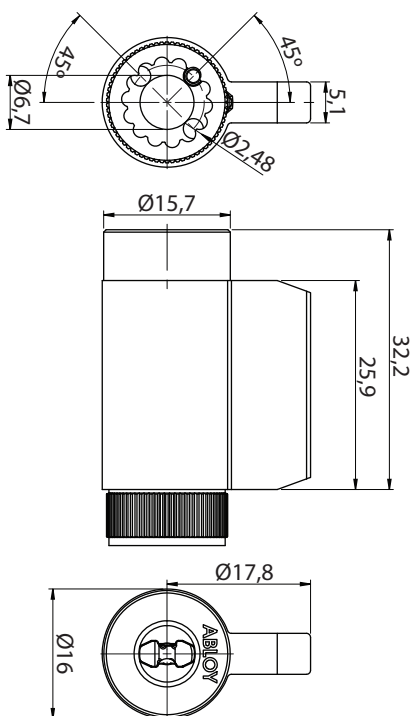


Product description

High security lock.

Overview of Advantages

- Suitable for use in a variety of applications.



Technical data

Available key systems	ABLOY PROTEC, ABLOY PROTEC ²
Body material	Brass
Available plating options	Bright chrome (Cr)
Handing	Right
Cam turn	360°
Key removal	Locked position
Weight	0,058 kg

This content is protected by Intellectual Property Rights Laws. The title to the content shall not pass to you, and instead shall remain with Abloy Oy or a third party holding the title. Abloy develops continuously the products and solutions offered. Therefore, the information contained in the document is subject to change without notice. ABLOY PROVIDES THIS CONTENT ON AN "AS IS" BASIS WITHOUT ANY WARRANTIES OF ANY KIND, EXPRESS, IMPLIED, OR STATUTORY."