

## ABLOY® CY504 Australian oval cylinder

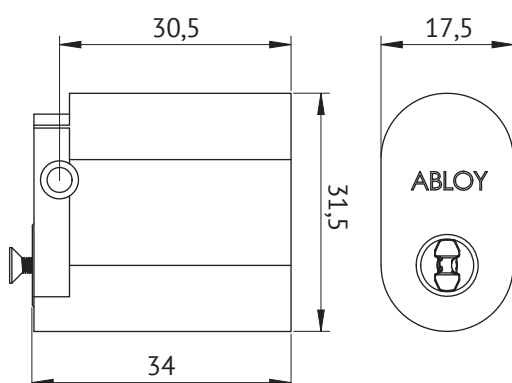


### Product description

For Lockwood series 3570, 570, 590, 591, 595, 5900, and 007 mortice locks.

### Overview of Advantages

- Strong burglary protection
- Suitable for both outer and inner door use
- Several plating options



### Technical data

Available key systems	ABLOY PROTEC, ABLOY PROTEC <sup>2</sup> , ABLOY NOVEL
Available plating options	Bright chrome (Cr), Satin chrome (HCr), Bright brass (MSKiLa), Satin brass (MSHaLa)
Cylinder length	34mm
Suitable for fire doors	Yes
Weight	0,17kg

This content is protected by Intellectual Property Rights Laws. The title to the content shall not pass to you, and instead shall remain with Abloy Oy or a third party holding the title. Abloy develops continuously the products and solutions offered. Therefore, the information contained in the document is subject to change without notice. ABLOY PROVIDES THIS CONTENT ON AN "AS IS" BASIS WITHOUT ANY WARRANTIES OF ANY KIND, EXPRESS, IMPLIED, OR STATUTORY."