

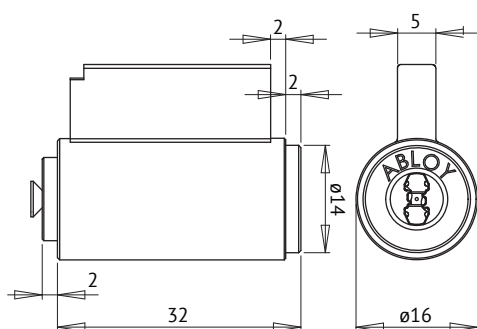
ABLOY® CY502 Key-in-knob cylinder



Product description

Australian style knob cylinder. For Lockwood 001 deadlatch.

The cylinder can be opened and locked only by a key.



Technical data

Available key systems	ABLOY PROTEC, ABLOY PROTEC ² , ABLOY NOVEL
Available plating options	HCr+HaLa
Cylinder dimensions	16x32
Weight	0,05kg

This content is protected by Intellectual Property Rights Laws. The title to the content shall not pass to you, and instead shall remain with Abloy Oy or a third party holding the title. Abloy develops continuously the products and solutions offered. Therefore, the information contained in the document is subject to change without notice. ABLOY PROVIDES THIS CONTENT ON AN "AS IS" BASIS WITHOUT ANY WARRANTIES OF ANY KIND, EXPRESS, IMPLIED, OR STATUTORY."