

ABLOY® CY411

ANSI Tubular deadbolt double cylinder

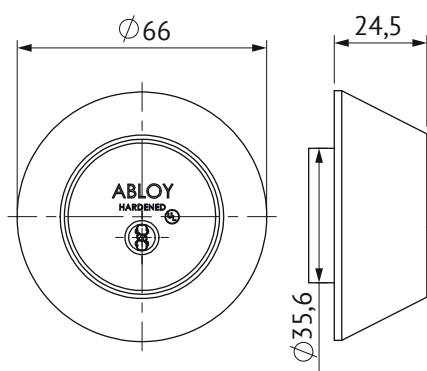


Product description

Bolt operated by key outside and inside.

Overview of Advantages

- Can be use with ANSI range applications
- Suitable for both outer and inner door use
- Several plating options



Technical data

Available key systems	ABLOY PROTEC2, ABLOY NOVEL
Available plating options	Bright chrome (Cr), Brushed chrome (CrHa), Bright brass (MSKiLa), Satin brass (MSHaLa)
Cylinder length	24,5mm
Length adjustable	60mm or 70mm
Suitable for fire doors	Yes
UL listed product	Yes
Weight	1.09 kg

This content is protected by Intellectual Property Rights Laws. The title to the content shall not pass to you, and instead shall remain with Abloy Oy or a third party holding the title. Abloy develops continuously the products and solutions offered. Therefore, the information contained in the document is subject to change without notice. ABLOY PROVIDES THIS CONTENT ON AN "AS IS" BASIS WITHOUT ANY WARRANTIES OF ANY KIND, EXPRESS, IMPLIED, OR STATUTORY."