

## ABLOY® CY405 Round ANSI cylinder

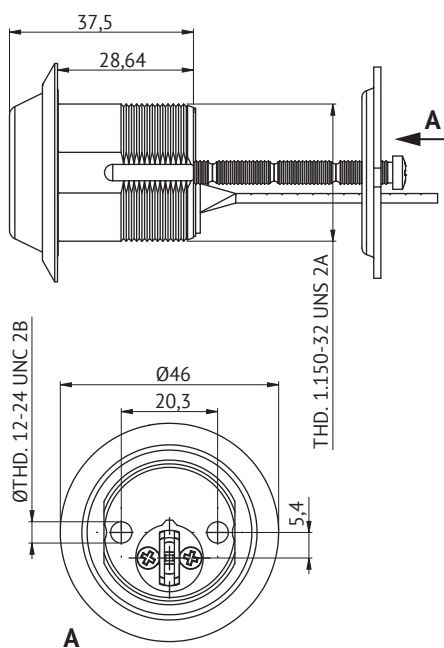


### Product description

Used with rim and mortice lock cases. Length: 1 inch Brass cylinder housing

### Overview of Advantages

- Suitable for both outer and inner door use
- Adjustable during installation to match different door thicknesses
- Several plating options



### Technical data

Available key systems	ABLOY PROTEC, ABLOY PROTEC <sup>2</sup> , ABLOY NOVEL
Available plating options	Bright chrome (Cr), Satin chrome (HCr), Brushed nickel (NiHa), Bright brass (MSKiLa), Satin brass (MSHaLa),
Cylinder ring diameter	46mm
Cylinder ring height	37.5mm
Suitable for fire doors	Yes
ANSI Standard	UL-437 LISTED
Weight	0.25kg

This content is protected by Intellectual Property Rights Laws. The title to the content shall not pass to you, and instead shall remain with Abloy Oy or a third party holding the title. Abloy develops continuously the products and solutions offered. Therefore, the information contained in the document is subject to change without notice. ABLOY PROVIDES THIS CONTENT ON AN "AS IS" BASIS WITHOUT ANY WARRANTIES OF ANY KIND, EXPRESS, IMPLIED, OR STATUTORY."