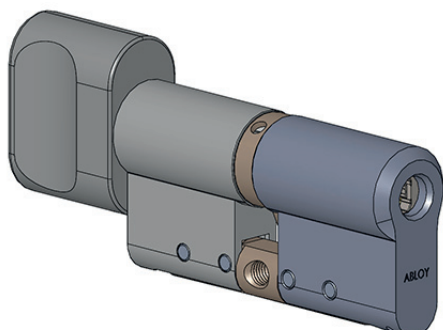


ABLOY® CY353 DIN cylinder with thumbturn



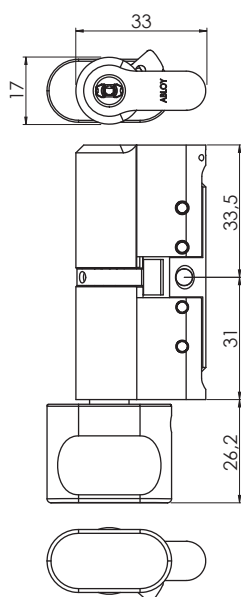
Product description

Strong hardened steel cylinder.

Lock is operated by key from outside and by thumbturn inside..

Overview of Advantages

- Can be use with wide range applications for DIN cylinders
- Heavy duty drill protection
- Suitable for both outer and inner door use
- Adjustable length with extension system to match different door thicknesses
- Adjustable locked position of cam
- Several plating options



Technical data

Available key systems	ABLOY PROTEC ²
Available plating options	Bright chrome (Cr), Satin chrome (HCr), Brushed nickel (NiHa), Bright brass (MSKLa), Satin brass (MSHaLa)
Outside cylinder length	33,5mm
Inside cylinder length	31mm
Length adjustable	with 5mm steps 33–82mm, and with 10mm steps 83–133mm
Weight	0,35kg

This content is protected by Intellectual Property Rights Laws. The title to the content shall not pass to you, and instead shall remain with Abloy Oy or a third party holding the title. Abloy develops continuously the products and solutions offered. Therefore, the information contained in the document is subject to change without notice. ABLOY PROVIDES THIS CONTENT ON AN "AS IS" BASIS WITHOUT ANY WARRANTIES OF ANY KIND, EXPRESS, IMPLIED, OR STATUTORY."