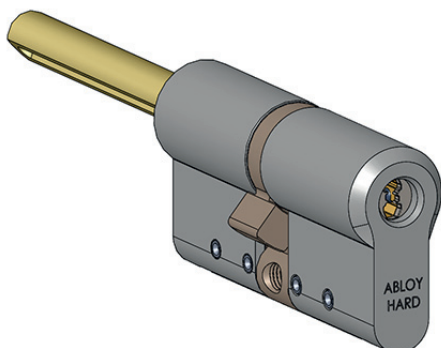


ABLOY® CY334 DIN cylinder with thumbturn spindle



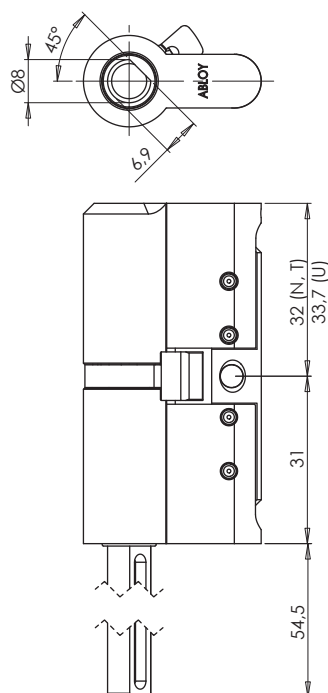
Product description

Strong hardened steel cylinder with thumbturn to be used with mortice lock cases with DIN / Europrofile cylinder dimensions.

Lock is operated by key from outside and by thumbturn inside.

Overview of Advantages

- Can be used with wide range applications for DIN cylinders
- Strong burglary protection
- Suitable for both outer and inner door use
- Adjustable length with extension system to match different door thicknesses
- Adjustable locked position of cam
- Several plating options



Technical data

Available key systems	ABLOY PROTEC, ABLOY PROTEC ² , ABLOY NOVEL
Available plating options	Bright chrome (Cr), Satin chrome (HCr), Brushed nickel (NiHa), Bright brass (MSKiLa), Satin brass (MSHaLa)
Outside cylinder length	32mm ABLOY PROTEC 32mm ABLOY PROTEC ² 33,7mm ABLOY NOVEL
Inside cylinder length	31mm
Length adjustable	with 5mm steps 32–82mm, and with 10mm steps 82–132mm
Weight	0,22kg

This content is protected by Intellectual Property Rights Laws. The title to the content shall not pass to you, and instead shall remain with Abloy Oy or a third party holding the title. Abloy develops continuously the products and solutions offered. Therefore, the information contained in the document is subject to change without notice. ABLOY PROVIDES THIS CONTENT ON AN "AS IS" BASIS WITHOUT ANY WARRANTIES OF ANY KIND, EXPRESS, IMPLIED, OR STATUTORY."