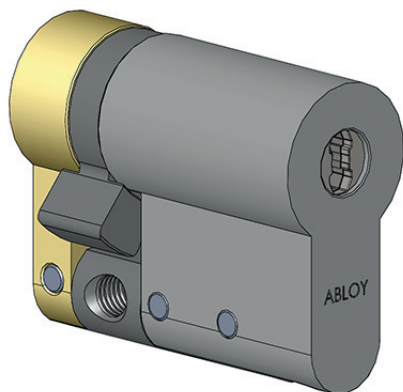


ABLOY® CY320

DIN single cylinder for Base stations

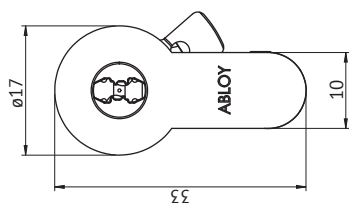
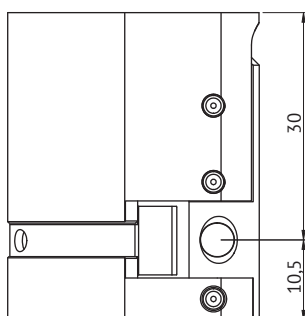


Product description

High durability cylinder against pulling, twisting and sawing.

Overview of Advantages

- Strong burglary protection
- Suitable for both outer and inner door use
- Adjustable length with extension system to match different door thicknesses
- Adjustable locked position of cam
- Several plating options



Technical data

Available key systems	ABLOY PROTEC, ABLOY PROTEC ²
Available plating options	Bright chrome (Cr), Satin chrome (HCr), Brushed nickel (NiHa), Bright brass (MSKLa), Satin brass (MSHaLa)
Cylinder length	30mm
Length adjustable	with 5mm steps 30–80mm, with 10mm steps 80–130mm
Weight	0,17kg

This content is protected by Intellectual Property Rights Laws. The title to the content shall not pass to you, and instead shall remain with Abloy Oy or a third party holding the title. Abloy develops continuously the products and solutions offered. Therefore, the information contained in the document is subject to change without notice. ABLOY PROVIDES THIS CONTENT ON AN "AS IS" BASIS WITHOUT ANY WARRANTIES OF ANY KIND, EXPRESS, IMPLIED, OR STATUTORY."