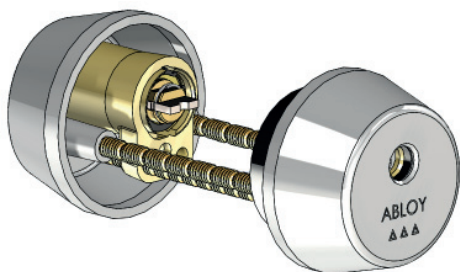


ABLOY® CY162

Door lock cylinder for Finnish type security lock LC109



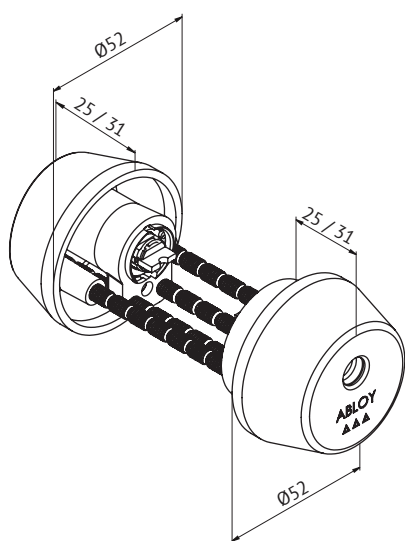
Product description

Double exterior cylinder to be used with high security mortice lock cases for standard doors, both mechanical and electric lock cases.

Lock is operated by key from both sides

Overview of Advantages

- Can be used with wide range of Finnish type high security mortice lock cases for standard doors
- Strong burglary protection
- Suitable for both outer and inner door use
- Adjustable during installation to match different door thicknesses
- Several plating options, also antimicrobial paints



Technical data

Available key systems	ABLOY PROTEC [®] , ABLOY NOVEL
Available plating options	Bright chrome (Cr), Satin chrome (HCr)
Cylinder ring diameter	52mm
Cylinder ring height	Standard 25mm, for thin doors 31mm
Suitable for fire doors	Yes
Attack resistance	Key related security 6, attack resistance D
Weight	0.6kg
Possible door thicknesses:	42..113mm

This content is protected by Intellectual Property Rights Laws. The title to the content shall not pass to you, and instead shall remain with Abloy Oy or a third party holding the title. Abloy develops continuously the products and solutions offered. Therefore, the information contained in the document is subject to change without notice. ABLOY PROVIDES THIS CONTENT ON AN "AS IS" BASIS WITHOUT ANY WARRANTIES OF ANY KIND, EXPRESS, IMPLIED, OR STATUTORY."