

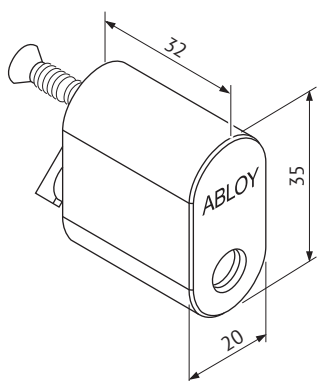
ABLOY® 5166

Cylinder for garage door lock



Product description

Cylinder to be used with Fix700.
The handle can be operated from outside by using a key.



Technical data

Available key systems	ABLOY PROTEC, ABLOY PROTEC ² , ABLOY SENTO, ABLOY CLASSIC
Available plating options	Bright chrome (Cr)
Cylinder dimensions	35 x 20mm x 22mm
Weight	0.2kg

This content is protected by Intellectual Property Rights Laws. The title to the content shall not pass to you, and instead shall remain with Abloy Oy or a third party holding the title. Abloy develops continuously the products and solutions offered. Therefore, the information contained in the document is subject to change without notice. ABLOY PROVIDES THIS CONTENT ON AN "AS IS" BASIS WITHOUT ANY WARRANTIES OF ANY KIND, EXPRESS, IMPLIED, OR STATUTORY."