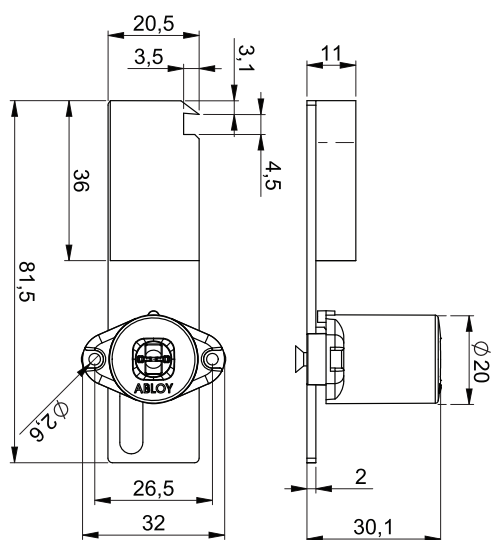
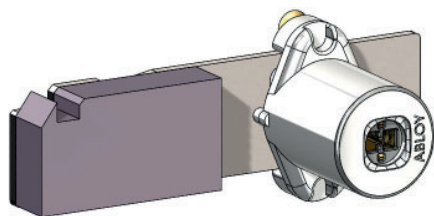


## ABLOY® SC618 Safe deposit lock



### Technical data

|                           |                    |
|---------------------------|--------------------|
| Available key systems     | ABLOY SENTRY       |
| Cylinder material         | Zinc               |
| Available plating options | Bright chrome (Cr) |
| Handing                   | Right              |
| Key removal               | Locked position    |
| Weight                    | 0,1 kg             |

This content is protected by Intellectual Property Rights Laws. The title to the content shall not pass to you, and instead shall remain with Abloy Oy or a third party holding the title. Abloy develops continuously the products and solutions offered. Therefore, the information contained in the document is subject to change without notice. ABLOY PROVIDES THIS CONTENT ON AN "AS IS" BASIS WITHOUT ANY WARRANTIES OF ANY KIND, EXPRESS, IMPLIED, OR STATUTORY."