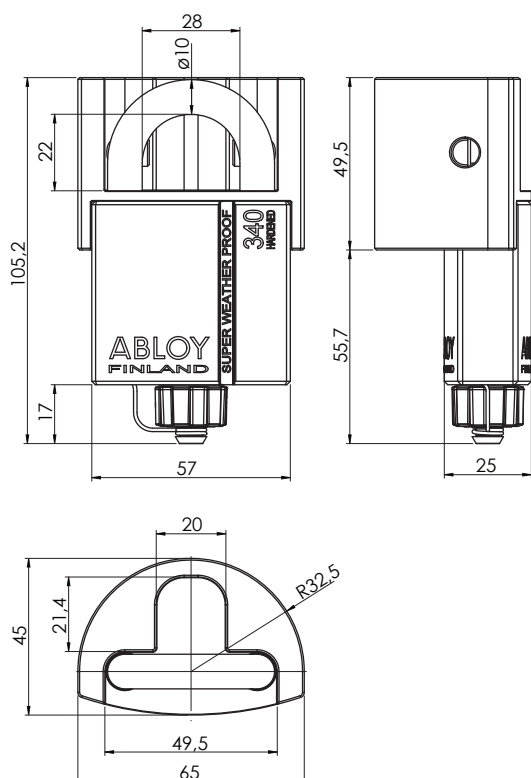
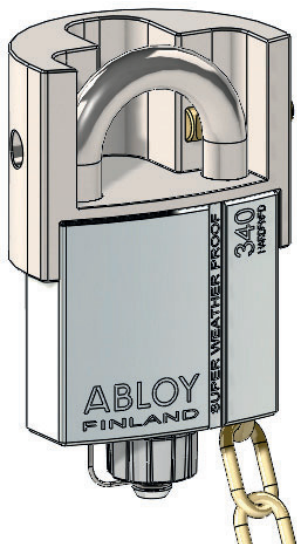


## ABLOY® PLM645 Padlock



### Technical data

Available key systems	ABLOY PROTEC <sup>2</sup>
Body	Made of steel, case hardened, bright chrome (Cr) plated
Shackle	Diameter 10 mm, height 25 mm, material case hardened boron steel, bright chromium (Cr) plated
Shackle armour	Made of steel, case hardened, bright chrome (Cr) plated
Weight	1,20 kg

This content is protected by Intellectual Property Rights Laws. The title to the content shall not pass to you, and instead shall remain with Abloy Oy or a third party holding the title. Abloy develops continuously the products and solutions offered. Therefore, the information contained in the document is subject to change without notice. ABLOY PROVIDES THIS CONTENT ON AN "AS IS" BASIS WITHOUT ANY WARRANTIES OF ANY KIND, EXPRESS, IMPLIED, OR STATUTORY."