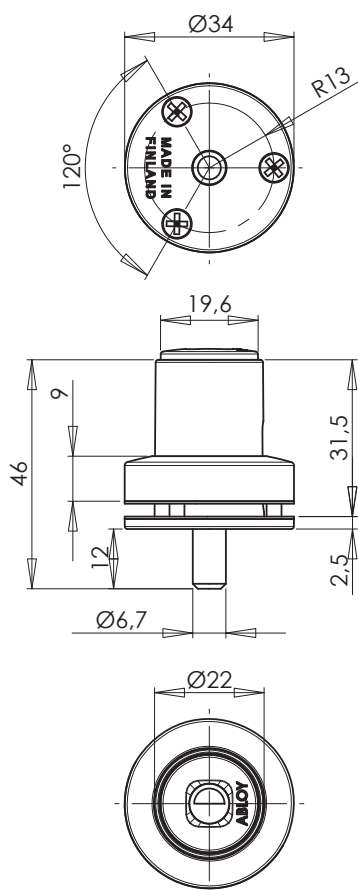


## ABLOY® OF431 Push button cabinet lock



### Technical data

|   |  |
|---|--|
| Available key systems<br>The lock can be combined for door locks. | ABLOY SENTRY, ABLOY PROTEC,<br>ABLOY PROTEC <sup>2</sup> , ABLOY SENTO,<br>ABLOY CLASSIC |
| Body material   | Zinc   |
| Available plating options   | Bright chrome (Cr)   |
| Bolt type   | Pin  |
| Bolt material   | Nickel-plated steel  |
| Key removal   | Open and locked position   |
| Weight  | 0,12 kg  |
| Maximum door thicknesses  | 2-9 mm   |

This content is protected by Intellectual Property Rights Laws. The title to the content shall not pass to you, and instead shall remain with Abloy Oy or a third party holding the title. Abloy develops continuously the products and solutions offered. Therefore, the information contained in the document is subject to change without notice. ABLOY PROVIDES THIS CONTENT ON AN "AS IS" BASIS WITHOUT ANY WARRANTIES OF ANY KIND, EXPRESS, IMPLIED, OR STATUTORY."