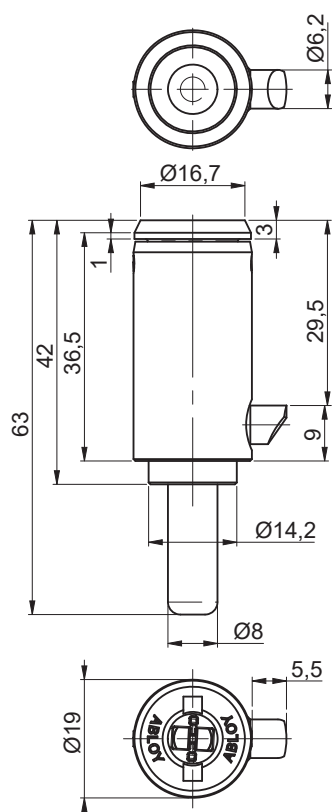
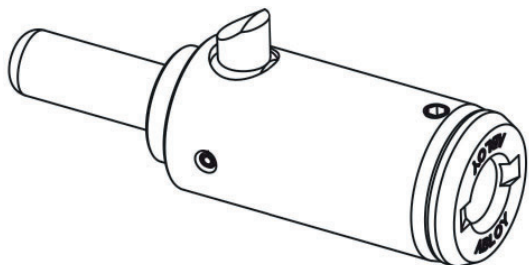


## ABLOY® CL743 T-handle lock



### Technical data

Available key systems	ABLOY SENTRY
Body material	Case-hardened steel
Available plating options	Bright chrome (Cr)
Handing	Right
Key removal	Open and locked position
Weight	0,10 kg

This content is protected by Intellectual Property Rights Laws. The title to the content shall not pass to you, and instead shall remain with Abloy Oy or a third party holding the title. Abloy develops continuously the products and solutions offered. Therefore, the information contained in the document is subject to change without notice. ABLOY PROVIDES THIS CONTENT ON AN "AS IS" BASIS WITHOUT ANY WARRANTIES OF ANY KIND, EXPRESS, IMPLIED, OR STATUTORY."