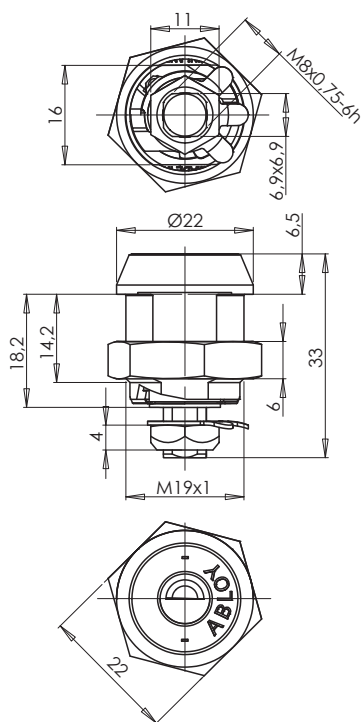
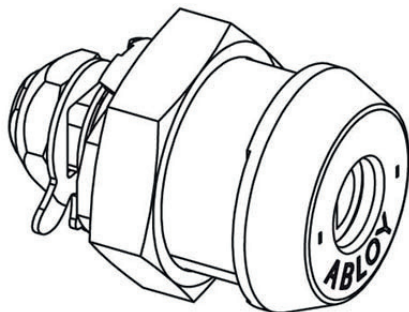


ABLOY® CL699 Cam lock



Technical data

Available key systems	ABLOY CLASSIC
Body material	Brass
Available plating options	Bright chrome (Cr)
Handing	Right
Cam turn	360°
Key removal	Locked and open position
Weight	0,07 kg
Maximum door thicknesses:	8 mm

This content is protected by Intellectual Property Rights Laws. The title to the content shall not pass to you, and instead shall remain with Abloy Oy or a third party holding the title. Abloy develops continuously the products and solutions offered. Therefore, the information contained in the document is subject to change without notice. ABLOY PROVIDES THIS CONTENT ON AN "AS IS" BASIS WITHOUT ANY WARRANTIES OF ANY KIND, EXPRESS, IMPLIED, OR STATUTORY."