

ABLOY® CL102 Cam lock

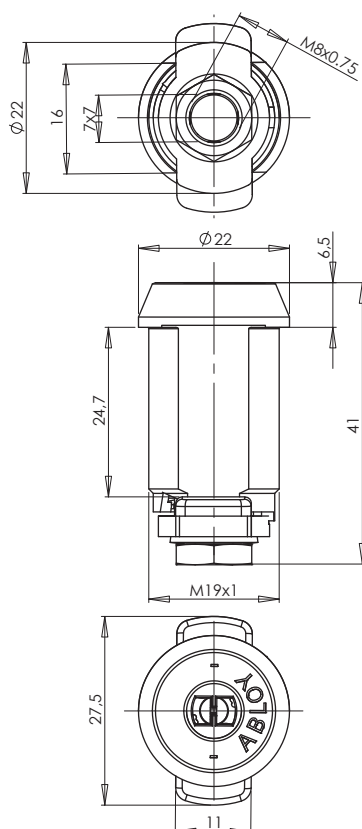


Product description

High security lock.

Overview of Advantages

- Can be used e.g. for locking the charge plate



Technical data

Available key systems	ABLOY SENTRY, ABLOY PROTEC, ABLOY PROTEC ² , ABLOY SENTO, ABLOY CLASSIC
Body material	Brass
Available plating options	Bright chrome (Cr)
Handing	Right / Left
Cam turn	90°
Key removal	Locked and unlocked position
Weight	0,1 kg

This content is protected by Intellectual Property Rights Laws. The title to the content shall not pass to you, and instead shall remain with Abloy Oy or a third party holding the title. Abloy develops continuously the products and solutions offered. Therefore, the information contained in the document is subject to change without notice. ABLOY PROVIDES THIS CONTENT ON AN "AS IS" BASIS WITHOUT ANY WARRANTIES OF ANY KIND, EXPRESS, IMPLIED, OR STATUTORY."