

## ABLOY® 3021 Padlock



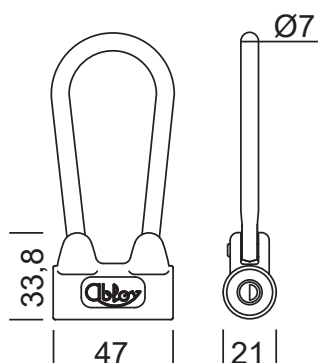
### Product description

Light padlock.

The brass lock for general use, key can be removed open and closed position.

### Overview of Advantages

- Suitable for general use, cash coins, toolboxes, storage cabinets and small machines



### Technical data

Available key systems	ABLOY CLASSIC
Body	Made of brass
Body size	47 x 21 x 34 mm (width x thickness x height)
Shackle	Diameter 7 mm, height 76 mm, material hardened boron steel
Security grading: EN 12320:2012	No
Weight	0.20 kg

This content is protected by Intellectual Property Rights Laws. The title to the content shall not pass to you, and instead shall remain with Abloy Oy or a third party holding the title. Abloy develops continuously the products and solutions offered. Therefore, the information contained in the document is subject to change without notice. ABLOY PROVIDES THIS CONTENT ON AN "AS IS" BASIS WITHOUT ANY WARRANTIES OF ANY KIND, EXPRESS, IMPLIED, OR STATUTORY."