

ABLOY® PL362

Padlock



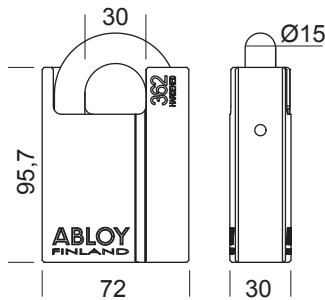
Product description

Maximum security steel padlock.

Extremely strong high security padlock, key can be removed only in locked position.

Overview of Advantages

- Durable construction
- Corrosion resistant
- Suitable for extra high security applications, like containers, railway wagons, trucks, heavy sliding doors, military use, etc.



Technical data

Available key systems	ABLOY PROTEC2, ABLOY SENTRY, ABLOY CLASSIC
Body	Made of steel, case hardened, bright chrome (Cr) plated
Body size	72 x 30 x 96mm (width x thickness x height). Raised shoulders for shackle protection.
Shackle:	Diameter 14mm, heights 25mm and 50mm, material case hardened boron steel, bright chromium (Cr) plated
Security grading: EN 12320:2012	Grade 6, SSFN014 Grade 5
Weight	1.27 kg

We reserve the right to make alterations to the products described in this leaflet.