



Product description

PDA500 is a local programming device which is used to authenticate administrators with the programming key and to program PROTEC² CLIQ™ keys locally in:

- CLIQ™ Web Manager
- Abloy®KEYCONTROL

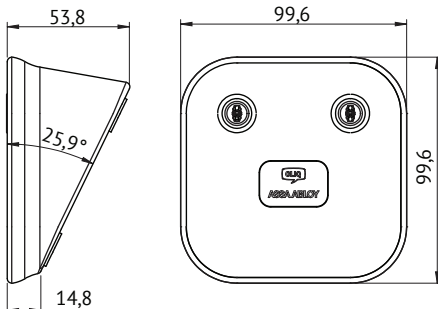
PDA500 is connected to PC via USB.

Overview of Advantages

- USB powered

Scope of delivery

- 1pcs Local programming device
- 1pcs USB-CABLE
- 1pcs user instructions



Technical data

Mounting	Table-top
Data storage	No
Connection	USB
Power	From USB
Plug & Play	Requires drivers

We reserve the right to make alterations to the products described in this leaflet.