

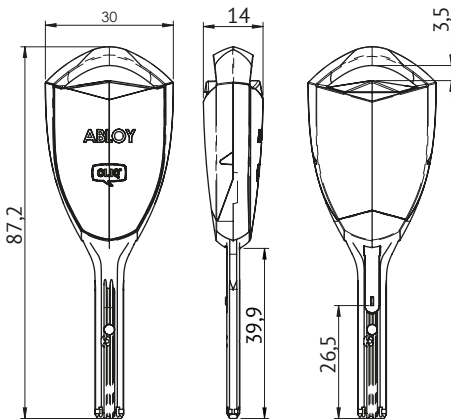


Product description

CLIQ Key is used to operate electromechanical CLIQ Cylinders and mechanical Protec cylinders. Access rights are managed via CLIQ Web Manager system.

Overview of Advantages

- High security by utilizing both patented PROTEC platform and CLIQ technology
- Key can be synchronized remotely with CLIQ Web Manager system by using remote programming devices
- Flexible access management via CLIQ Web Manager software
- Led and buzzer indication



Technical data

Available key systems	ABLOY PROTEC CLIQ ABLOY PROTEC2 CLIQ
List of authorized locks	NQ/TQ407 dynamic key, 3500
Audit trail	2000
Schedules	50 weekly schedules
Time zone support	A time zone is set for the masterkey system, and an offset can be specified for cylinders located in different time zones
Battery life	3-5 years, 50 000 openings. Key indicates low battery approx 100 openings before end of life
Battery type	RENATA CR2450N
Usage temperature	-20°C .. +50°C
Maintenance	<ul style="list-style-type: none"> • Changing the battery <p>Open the key cover and replace the battery. Key indicates a low battery warning approx. 100 openings before end of life. NOTE – if key is held without battery for over 1 minutes, the realtime clock will reset and key must be updated in a remotePD. Key memory, including audit trails and list of authorized lock are NOT affected by battery removal.</p>

We reserve the right to make alterations to the products described in this leaflet.