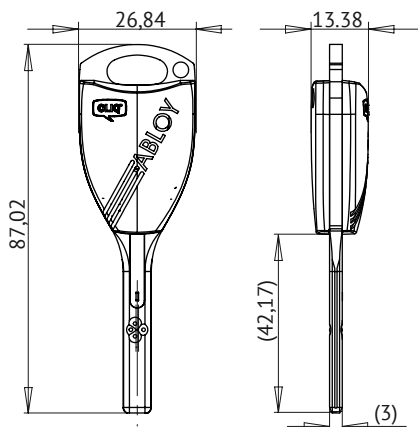


Product description

CLIQ Key is used to operate electromechanical CLIQ Cylinders and mechanical Protec cylinders. Access rights are managed via CLIQ Web Manager system.

Overview of Advantages

- High security by utilizing both patented PROTEC platform and CLIQ technology
- Key can be synchronized remotely with CLIQ Web Manager system by using remote programming devices
- Flexible access management via CLIQ Web Manager software
- Led and buzzer indication



Technical data

Available key systems	ABLOY PROTEC CLIQ
List of authorized locks	NQ437 dynamic key, 3500
Audit trail	2000
Battery life	3-5 years
Usage temperature	-20°C .. +50°C

We reserve the right to make alterations to the products described in this leaflet.