

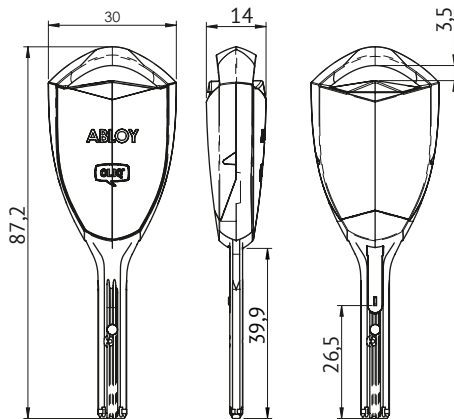


### Product description

CLIQ programming key is used as a credential to access the CLIQ Web Manager software.

### Overview of Advantages

- Administrator can create programming tasks in CLIQ Web Manager and the tasks are distributed to programming keys with localPD or Remote programming devices (eg. WallPD or CLIQ™ Connect app) in the field.
- Cylinders' audit trails can be retrieved with a programming key.



### Technical data

Available key systems	ABLOY PROTEC CLIQ ABLOY PROTEC2 CLIQ
Audit trail	10000
List of programming tasks	1250
Time zone support	A time zone is set for the masterkey system, and an offset can be specified for cylinders located in different time zones
Battery life	Up to 10 years. Key indicates low battery approx 100 openings before end of life
Battery type	RENATA CR2450N
Usage temperature	-20°C .. +50°C
Maintenance	<ul style="list-style-type: none"> <li>• Changing the battery</li> </ul> <p>Open the key cover and replace the battery. Key indicates a low battery warning approx. 100 openings before end of life. NOTE – if key is held without battery for over 1 minutes, the realtime clock will reset and key must be updated in a remotePD. Key memory, including audit trails and list of authorized lock are NOT affected by battery removal.</p>
ATEX	Available as EX-version

We reserve the right to make alterations to the products described in this leaflet.