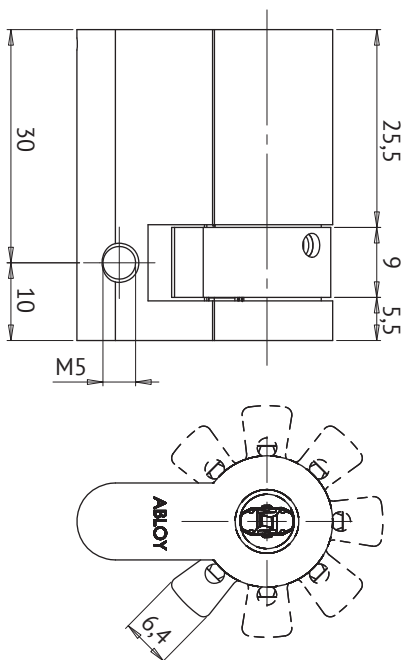


**Product description**

Electromechanical CLIQ Single cylinder to be used mortice lock cases and other applications with DIN / Europrofile cylinder dimensions.

**Overview of Advantages**

- Can be use with wide range applications for DIN cylinders
- Suitable for inner door use
- Adjustable locked position of cam



**Technical data**

Available key systems	ABLOY PROTEC <sup>2</sup> CLIQ
Available plating options	Satin chrome (HCr)
Cylinder length	30mm
Weight	0,17kg

We reserve the right to make alterations to the products described in this leaflet.