

ABLOY® CYL062

Electromechanical CLIQ Door lock cylinder for Finnish type mortice locks



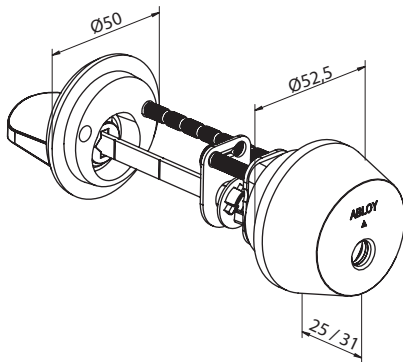
Product description

Electromechanical CLIQ Double cylinder to be used with high security mortice lock cases for standard doors, both mechanical and electric lock cases. Outside cylinder is electronic CLIQ, inside cylinder is mechanical PROTEC2.

Lock is operated by key from both sides.

Overview of Advantages

- can be used with wide range of Finnish type high security mortice lock cases for standard doors
- strong burglary protection
- suitable for both outer and inner door use
- adjustable during installation to match different door thicknesses
- several plating options, also antimicrobial paints



Technical data

Available key systems	ABLOY PROTEC2 CLIQ
Available plating options	Bright chrome (Cr), Satin chrome (HCr), Brushed nickel (NiHa), Bright brass (MSKLa), Satin brass (MSHaLa), Antimicrobial painted ACTIVE Val (white)/Mus (black)/Har (gray)/Gra (graphite)
Cylinder ring diameter	52mm
Cylinder ring height	Standard 25mm, for thin doors 31mm
Blind plate diameter	50mm
Suitable for fire doors	Yes
EN 1303:2015 classification	Key related security 6, attack resistance D
Weight	0.6kg
Possible door thicknesses:	42...113mm

Cylinder memory

- 1800 authorized key groups and programming keys together, theoretical maximum 65535 keys in each group
- A list of 3000 denied keys
- Audit trail of last 2000 events
- Audit trail of last 20 events from keys in other systems

We reserve the right to make alterations to the products described in this leaflet.