

# ABLOY® CYL001

## Electromechanical CLIQ Door lock cylinder for Finnish type mortice locks



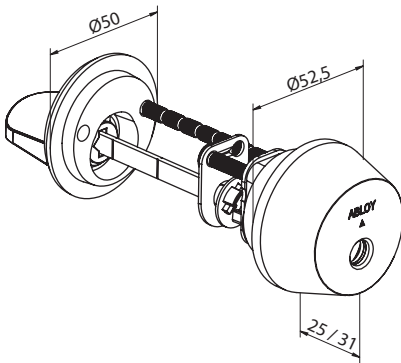
### Product description

Electromechanical CLIQ Cylinder with thumbturn to be used with mortice lock cases for standard doors, both mechanical and electric lock cases.

Lock is operated with an electronic CLIQ key from outside and by thumbturn inside the door.

### Overview of Advantages

- Can be use with wide range of Finnish type mortice lock cases for standard doors
- Suitable for both outer and inner door use
- Adjustable during installation to match different door thicknesses
- Several plating options, also antimicrobial paints



### Technical data

Available key systems	ABLOY PROTEC2 CLIQ
Available plating options	Bright chrome (Cr), Satin chrome (HCr), Black chrome (DCr), Bright brass (MSKiLa), Satin brass (MSHaLa), Brushed nickel (NiHa), Antimicrobial painted ACTIVE Val (white)/Mus (black)/Har (gray)/Gra (graphite)
Cylinder ring diameter	52mm
Cylinder ring height	Standard 25mm, for thin doors 31mm
Blind plate diameter	50mm
Suitable for fire doors	Yes
EN 1303:2015 classification	Key related security 6, attack resistance C
Weight	0.7kg
Possible door thicknesses:	42...152mm

### Cylinder memory

- 1800 authorized key groups and programming keys together, theoretical maximum 65535 keys in each group
- A list of 3000 denied keys
- Audit trail of last 2000 events
- Audit trail of last 20 events from keys in other systems

We reserve the right to make alterations to the products described in this leaflet.