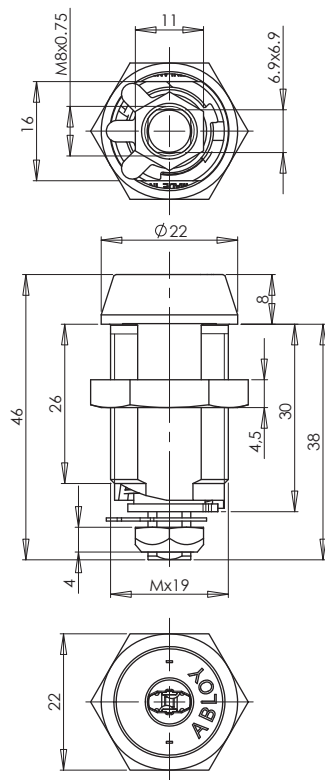


Product description
Electromechanical CLIQ cylinder.

Overview of Advantages

- Suitable for use in a variety of gaming and vending machines and devices, storage and compartments, hardware and workstation locks, and other locations that require high security locking and reliability, but also ease of use.



Technical data

Available key systems	ABLOY PROTEC CLIQ, ABLOY PROTEC ² CLIQ
Body material	Hardened steel
Available plating options	Bright chrome
Operation direction	Left and right hand versions available
Cam turn	90°
Key removal	Locked position
Weight	0,07kg

Cylinder memory

- 1800 authorized key groups and programming keys together, theoretical maximum 65535 keys in each group
- A list of 3000 denied keys
- Audit trail of last 2000 events
- Audit trail of last 20 events from keys in other systems

We reserve the right to make alterations to the products described in this leaflet.