

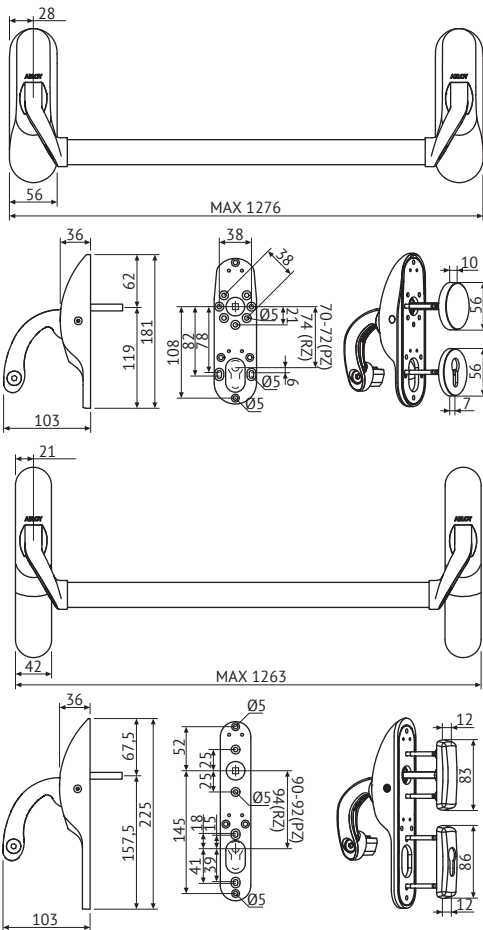


Description:

DIN Panic bar for Abloy EN1125 approved lock cases (mechanical and electromechanical) where Panic bar always open the door in case of an emergency. Suitable for solid and narrow stile doors, both single- and double leaf versions.

Overview of Advantages

- ABLOY PANIC BARS extremely high durability is tested according to EN1125 more above 1 million cycles.
- Same design with Abloy new long plates.



Technical data

Material	-
Surfaces	Bright chrome (Cr), Satin chrome (HCr), Brushed nicke (NiHa), Antimicrobial painted ACTIVE Val (white)/Mus (black)/Har (gray)/Gra (graphite)
Standards	EN 1125
Suitable for fire doors	Yes
Delivery batch	1 unit
Product code	PBE011

We reserve the right to make alterations to the products described in this leaflet.