

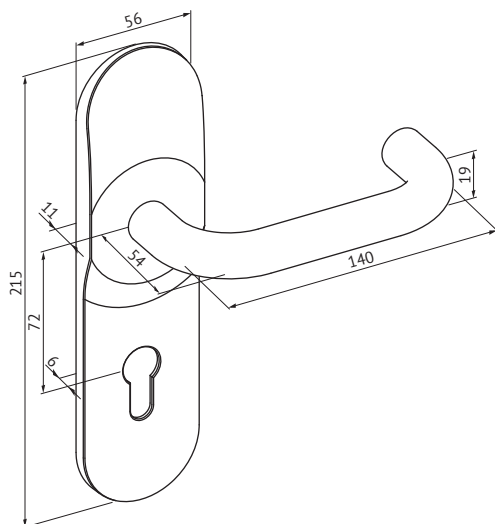
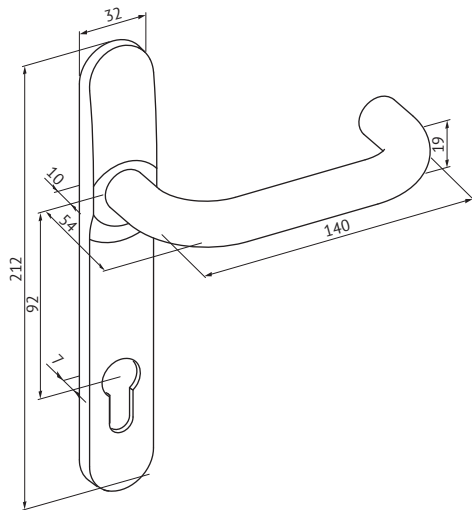


Description:

Handle for solid and profile narrow stile doors. Several versions for solid and profile doors, as a handle pair, inside handle and outside handle with PBE011 Panic bar.

Overview of Advantages

- Handle is equipped with return spring.



Technical data

Material	Brass
Surfaces	Bright chrome (Cr), Satin chrome (HCr), Brushed nicke (NiHa)
Standards	EN 1906/3 (EH070 / EN 179)
Door thicknesses	40-60mm, 60-80mm, 80-100mm
Suitable for fire doors	No
Delivery batch	1 pair
Product code	DH070 (EH070)

We reserve the right to make alterations to the products described in this leaflet.