

# ABLOY® CYL403

## Electromechanical CLIQ round ANSI cylinder

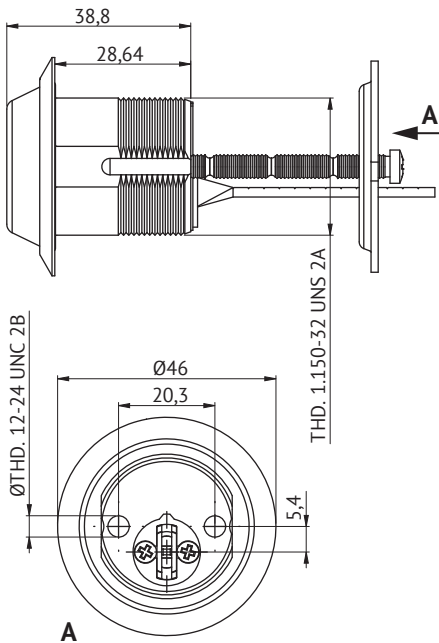


### Product description

Electromechanical CLIQ used with rim and mortice lock cases. Length: 1¼ inch. Case hardened steel.

### Overview of Advantages

- Strong burglary protection
- Suitable for both outer and inner door use
- Adjustable during installation to match different door thicknesses
- Several plating options



### Technical data

Available key systems	ABLOY PROTEC CLIQ, ABLOY PROTEC <sup>2</sup> CLIQ
Available plating options	Brushed chrome (CrHa), Brushed nickel (NiHa), Bright brass (MSKila)
Cylinder ring diameter	46mm
Cylinder length	38.8mm
Inner length	28,64mm (1-1/4")
Weight	0,22kg

We reserve the right to make alterations to the products described in this leaflet.